

Teil Part	Beschreibung Description	Sachnummer Code no.	Position Sheet Pos.	Ort Loc.
A01	Maschinensteuerung machine controller	97155519	siehe Zusatztab.	
A02	Bedienfeld touch panel	97168256	siehe Zusatztab.	
A04	Fahrsteuerung Vorderrad drive controller	97139570	siehe Zusatztab.	
A05	Fahrsteuerung Hinterrad drive controller	97139562	siehe Zusatztab.	
A20	Fleetrecorder fleetrecorder	97160097	siehe Zusatztab.	
A101	Chemiepumpensteuerung chemical pump controller	97139372	10/28	
B03	Fahrgeber accelerator	97131882	8/40	
B04	Frischwassersensor fresh water sensor	92013481	6/16	
B20	I-Button-Reader i-button-reader	97131429	12/52	
B101	Durchflussmesser flow sensor	90596529	10/26	
C01	Entstörkondensator suppressor capacitor front drive	90288879	5/21	
E01	Arbeitsscheinwerfer working headlight	97132807	10/5 11/50	
E02	Blitzleuchte warning beacon	97084222	10/12	
E02.	Blitzleuchte am Schutzdach warning beacon on overhead cover	97084222	10/19	
E03	Blinklicht warning beacon	97131023	10/40	
E14	Blue Spot blue spot	92049915	10/54	
E21	Arbeitsscheinwerfer Anbauteil working headlight attached part	97132807	11/42	
F01	Sicherung Steuerspannung 7,5A fuse controller 7,5A	19731587	3/15	
F01.	Sicherung Steuerspannung 7,5A fuse controller 7,5A	19731587	3/38	
F02	Sicherung Maschinensteuerung 125A fuse machine controller 125A	19731546	4/2	
F03	Sicherung Fahrsteuerung vorne 150A fuse drive controller front 150A	19731561	4/6	
F04	Sicherung Fahrsteuerung hinten 100A fuse drive controller rear 100A	19731553	4/11	
F05.	Sicherung Kehr-Saugvorsatz 30A fuse front sweeper 30A	19731595	11/32	
F19	Sicherung Hupe 5A fuse horn 5A	19731272	3/19	
F19.	Sicherung Hupe 5A fuse horn 5A	19731272	3/44	
G01	Batterie 320Ah PzS battery 320Ah PzS	90683624	3/4	
G01.	Batterie 280Ah PzV battery 280Ah PzV	92027515	3/12	
G10	Onboard-Ladegerät 35A onboard charger 35A	97147524	3/5	
H01	Hupe horn	90194911	5/16	
K01	Hauptrelais 2-pol. main relais 2-pole	92004282	3/25 11/50 12/10	
K01.	Hauptrelais 1-pol. main relais 1-pole	92027176	3/50 11/50 12/10 3/45	
K02	Relais 1-pol. relais 1-pole	90267949	8/8	
K03	Relais 1-pol. relais 1-pole	90267949	9/27	
K05	Rel. Ausheb. rel. sidebr.	90696857	12/30	
K21	Relais 2-pol. relais 2-pole	92049469	11/32	
M01	Fahrmotor drive motor	90685835	8/40	
M02	Hinterradantrieb drive motor rear	97141428	9/37	
M03	Bürstenmotor links (Tellerbürste) brush motor left (plate brush)	90577248	7/24	
M03.	Bürstenmotor links (Walzenbürste) brush motor left (cylindrical brush)	92009562	7/47	
M04	Bürstenmotor rechts (Tellerbürste) brush motor right (plate brush)	90577248	7/35	
M04.	Bürstenmotor rechts (Walzenbürste) brush motor right (cylindrical brush)	92009562	7/58	
M08	Wasserpumpe waterpump	97116529	6/25	
M09	Hubelement Bürstendeck lifting element brushdeck	92023332	7/15	
M10	Hubelement Saugfuß lifting element squeegee	92005727	7/27	

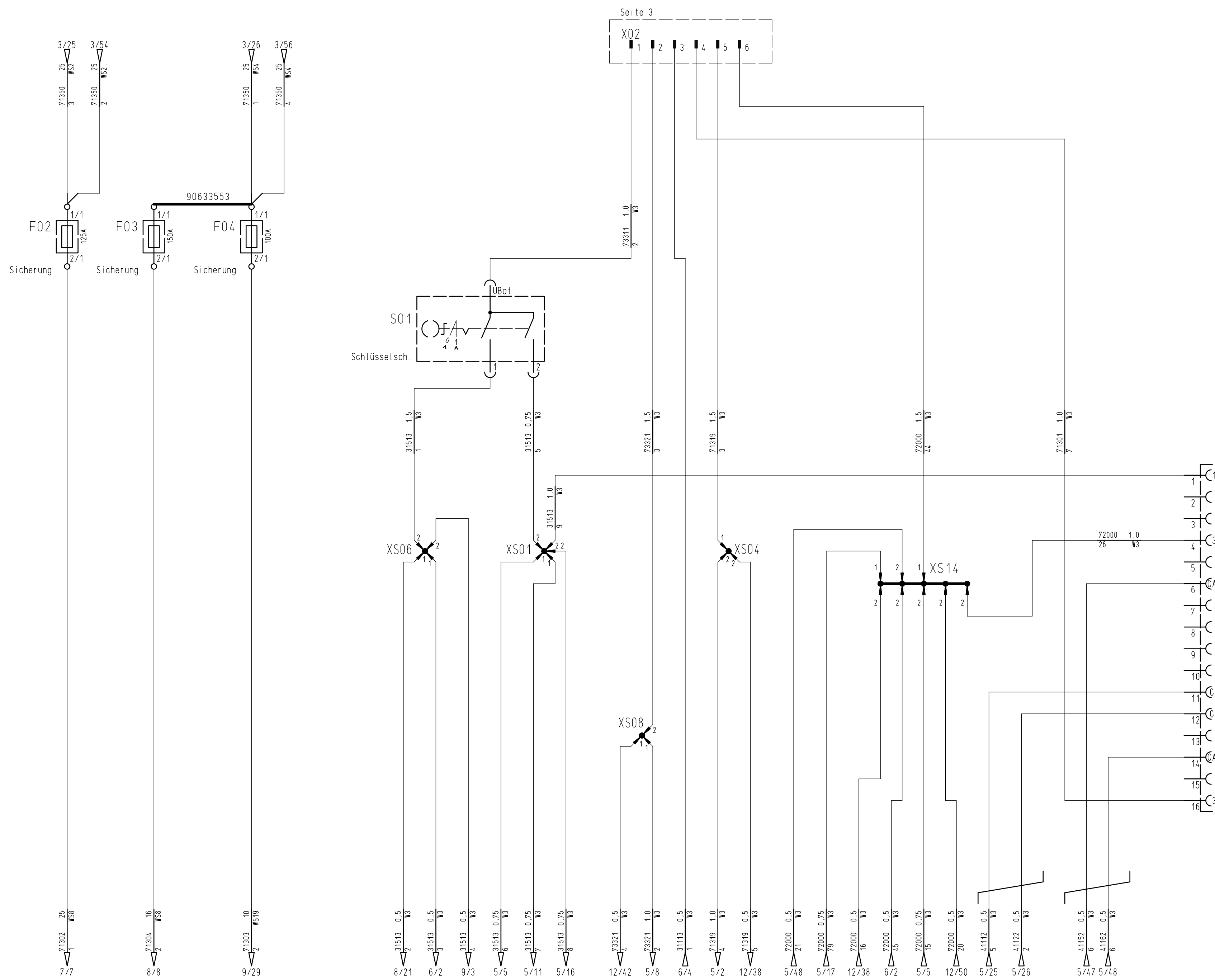
Teil Part	Beschreibung Description	Sachnummer Code no.	Position Sheet Pos.	Ort Loc.
M12	Hubelement Seitenbesenanlage lifting element side brush deck	92005727	12/31	
M16	Saugmotor suction motor	97142475	7/11	
M17	Saugmotor suction motor	97142475	7/15	
M19	Seitenbesenmotor links sidebroom left	92014455	12/1	
M20	Seitenbesenmotor rechts sidebroom right	92019017	12/11	
M21	Zentralmotor combined motor	92022524	11/31	
P02	Signalgeber buzzer	97047187	10/35	
P03	Signalgeber buzzer	97047187	10/46	
R10	Widerstand R120 resistor R120	90266925	3/5	
R20	Lenkwinkelsensor sensor steer angel	92017995	9/21	
R102	Vorwiderstand 2k7 resistor 2k7	19245258	12/52	
R103	Vorwiderstand 4k7 resistor 4k7	19245216	11/7	
R106	Vorwiderstand R270 resistor R270	19245109	10/35	
R107	Vorwiderstand R270 resistor R270	19245109	10/40	
R108	Vorwiderstand R270 resistor R270	19245109	10/46	
S01	Schlüsselschalter key switch	90323437	4/18	
S04	Schmutzwasserschalter dirty water switch	97142400	6/24	
S05	Sitzkontaktschalter seat contact switch	90690694	6/30	
S10	Fußbremsschalter switch foot brake	90472176	8/12	
V01	Freilaufdiode recovery diode	90194879	5/13	
Y01	Wasserventil watervvalve	90435595	6/33	

Teil Part	Beschreibung Description	Sachnummer Code no.	Position Sheet Pos.	Ort Loc.
M03/S1	2-pol. AMP Super-Seal 2-pol. AMP Super-Seal		7/51	
M04/S1	2-pol. AMP Super-Seal 2-pol. AMP Super-Seal		7/62	
M21/S1	2-pol. AMP Super-Seal 2-pol. AMP Super-Seal		11/31	
X01	Batteriestecker 160A battery connector 160A		3/3 3/26	
X01.	Batteriestecker 160A battery connector 160A		3/10 3/54	
X01..	Batteriestecker SR175 battery connector SR175		3/47	
X02	6-pol. Fastin-Faston 6.3 6-pol. Fastin-Faston 6.3		3/14 4/31	
X02.	6-pol. Fastin-Faston 6.3 6-pol. Fastin-Faston 6.3		3/41	
X11	8-pol. Mini-Fit Jr. 8-pol. Mini-Fit Jr.		9/1	
X11.	8-pol. Mini-Fit Jr. 8-pol. Mini-Fit Jr.		9/18	
X20	4-pol. Mini-Fit Jr. 4-pol. Mini-Fit Jr.		6/7	
X22	14-pol. Mini-Fit Jr. 14-pol. Mini-Fit Jr.		6/39	
X22.	14-pol. Mini-Fit Jr. 14-pol. Mini-Fit Jr.		11/49	
X23	2-pol. Mini-Fit Jr. 2-pol. Mini-Fit Jr.		6/9 11/49	
X23.	2-pol. Mini-Fit Jr. 2-pol. Mini-Fit Jr.		11/49	
X24	2-pol. Microfit 2-pol. Microfit		6/13 10/35 10/48	
X25	2-pol. Mini-Fit Jr. 2-pol. Mini-Fit Jr.		6/17 10/37	
X26	2-pol. Mini-Fit Jr. 2-pol. Mini-Fit Jr.		6/21	
X27	3-pol. Fastin-Faston 6.3 3-pol. Fastin-Faston 6.3		6/25 11/16	
X43	Verteilerbolzen (-) M8 junction bolt (-) M8		3/36 3/49	
X44	4-pol. Fastin-Faston 6.3 4-pol. Fastin-Faston 6.3		7/25 12/46	
X44A	4-pol. Fastin-Faston 6.3 4-pol. Fastin-Faston 6.3		12/30	
X44B	4-pol. Fastin-Faston 6.3 4-pol. Fastin-Faston 6.3		12/30	
X45	8-pol. Mini-Fit Jr. 8-pol. Mini-Fit Jr.		12/20	
X51	9-pol. Anbauteil 9-pol. attached part		11/33	
X52	6-pol. Mini-Fit Jr. 6-pol. Mini-Fit Jr.		7/33 12/3	
X55	2-pol. AMP Super-Seal 2-pol. AMP Super-Seal		11/16	
X60	OBDDII Diagnosestecker OBDDII diagnostic connector		4/55	
X65	2-pol. Mini-Fit Jr. 2-pol. Mini-Fit Jr.		10/14	
X65.	2-pol. Mini-Fit Jr. 2-pol. Mini-Fit Jr.		10/21	
X97	4-pol. USB 4-pol. USB		5/35	
X100	VGND M6 Bolzen VGND M6 bolt		5/29	
X101	VGND M6 Bolzen VGND M6 bolt		6/56	


Integrated acc. 4481-00		29.04.21	Ri	2019 Date	Name	B175 R	Name	 Hako GmbH D-23840 Bad Oldesloe	Drawing Number			
No. Number appears		Change No.	Date	Name	Standard	Change No. 3905-62	Schaltplan B175 R / circuit diagram B175 R		91041970			
For this drawing we reserve all rights (acc. DIN ISO 16016)								KAB1 470	Type 7434	Dep. DS	No. of Sh. 15	Sheet 1

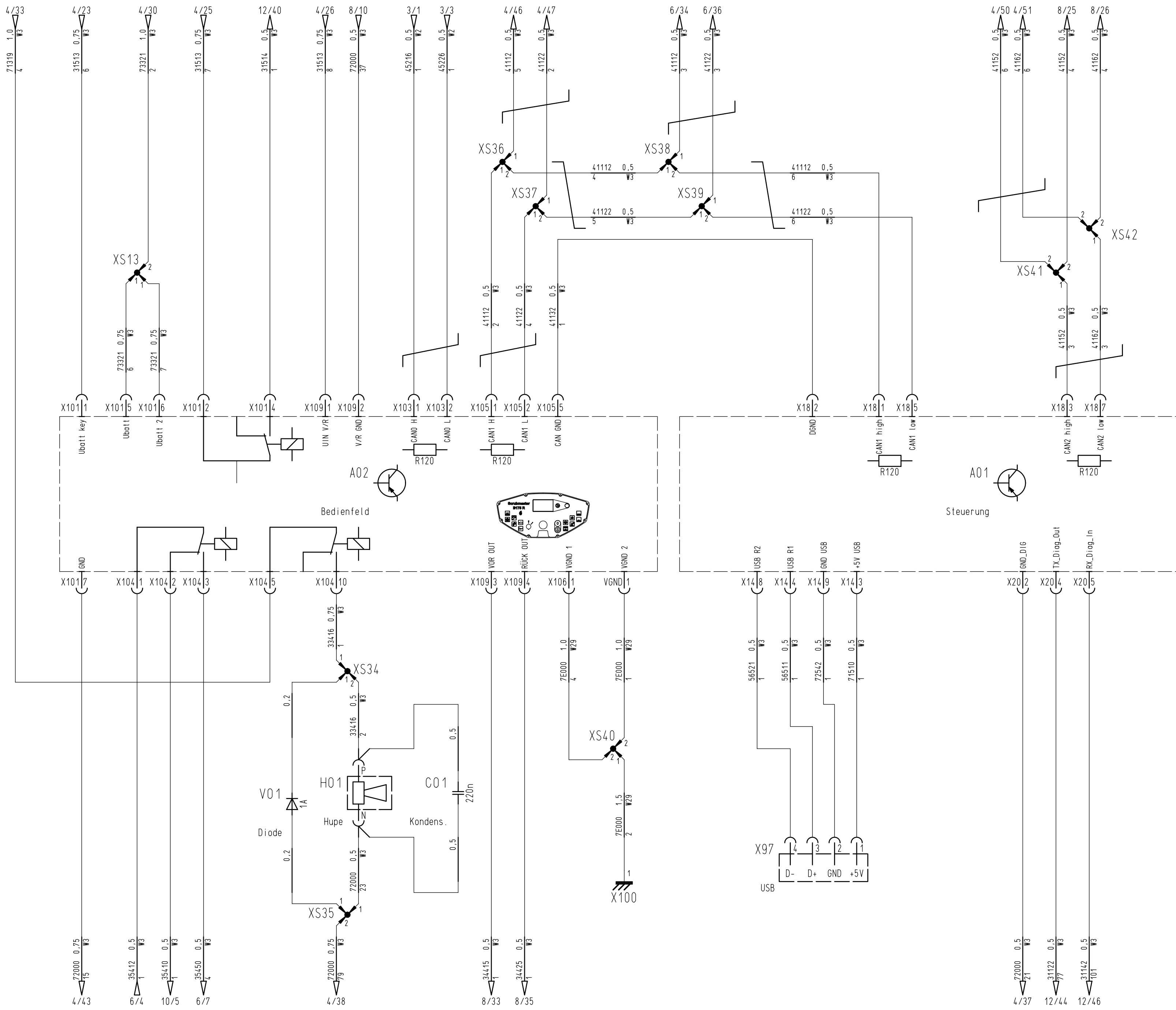
Teil Part	Beschreibung Description	Sachnummer Code no.	Position Sheet Pos.	Ort Loc.	Teil Part	Beschreibung Description	Position Sheet Pos.	Ort Loc.	Teil Part	Beschreibung Description	Sachnummer Code no.	Position Sheet Pos.	Ort Loc.
XS01	USSP ussp	-	4/24		A01	Maschinensteuerung machine controller	X1 7/6 X2 7/6	X3 7/21 X4 7/26	X5 7/32 X6 7/37	X7 7/13 X8 7/15	X9 7/17 X10 7/19		
XS02	USSP ussp	-	3/41		A01/X11	Maschinensteuerung machine controller	X11/1 7/20 X11/2 7/25	X11/3 7/34 X11/4 7/18	X11/5 7/27 X11/6 7/35				
XS03	USSP ussp	-	3/14		A01/X12	Maschinensteuerung machine controller	X12/1 6/26 X12/2 6/13 X12/3 6/13 X12/4 6/30 X12/5 6/4	X12/6 6/36 X12/7 6/28 X12/8 6/21 X12/9 6/39 X12/10 6/17	X12/11 6/28 X12/12 6/15 X12/13 6/15 X12/14 6/31 X12/15 6/35	X12/16 6/37 X12/17 7/30 X12/18 6/13 X12/19 6/41 X12/20 6/19			
XS04	USSP ussp	-	4/32		A01/X13	Maschinensteuerung machine controller	X13/1 7/12 X13/2 6/48 X13/3 6/53 X13/4 6/40 X13/5 6/4	X13/6 6/43 X13/7 7/15 X13/8 6/51 X13/9 6/54 X13/10 6/34	X13/11 6/37 X13/12 6/4				
XS05	USSP ussp	-	12/42		A01/X14	Maschinensteuerung machine controller	X14/1 6/2 X14/2 6/4	X14/3 5/40 X14/4 5/37	X14/5 6/15 X14/6 6/2	X14/7 6/15 X14/8 5/35	X14/9 5/39 X14/10 6/4		
XS06	USSP ussp	-	4/18		A01/X15	Maschinensteuerung machine controller	X15/1 6/28 X15/2 6/30 X15/3 6/20 X15/4 6/24 X15/5 7/11	X15/6 6/28 X15/7 6/30 X15/8 6/53 X15/9 6/45 X15/10 6/49	X15/11 6/7 X15/12 6/10 X15/13 6/13 X15/14 6/17 X15/15 6/17	X15/16 6/26 X15/17 6/10 X15/18 6/33 X15/19 6/31 X15/20 6/55	X15/21 6/47 X15/22 6/51 X15/23 6/9 X15/24 6/11		
XS08	USSP ussp	-	4/28		A01/X18	Maschinensteuerung machine controller	X18/1 5/41 X18/2 5/38	X18/3 5/50 X18/4 6/4	X18/5 5/43 X18/6 6/4	X18/7 5/51 X18/8 6/4			
XS10	USSP ussp	-	9/36		A01/X20	Maschinensteuerung machine controller	X20/1 6/2 X20/2 5/47	X20/3 5/40 X20/4 5/49	X20/5 5/51 X20/6 6/4				
XS11	USSP ussp	-	8/13		A01/X22	Maschinensteuerung machine controller	X22 6/56						
XS12	USSP ussp	-	8/2		A02	Bedienfeld touch panel	X101/1 5/5 X101/2 5/11 X101/5 5/7 X101/6 5/9 X101/7 5/5	X103/1 5/20 X103/2 5/22	X104/1 5/7 X104/2 5/9 X104/3 5/10 X104/4 5/13 X104/5 5/13	X104/105/16 X105/1 5/24 X105/2 5/25 X105/5 5/27 X106/1 5/26	X109/1 5/16 X109/2 5/18 X109/3 5/23 X109/4 5/25 VGND/1 5/29		
XS13	USSP ussp	-	5/7		A04	Fahrsteuerung drive controller	PBat/B+ 8/8 NBat/B- 8/8	M1/1 8/40 M2/1 8/42	M3/1 8/43				
XS14	USSP ussp	-	4/41		A04/A	Fahrsteuerung drive controller	A/1 8/33 A/2 8/34 A/3 8/40 A/4 8/16 A/5 8/16	A/6 8/16 A/7 8/15 A/8 8/45 A/9 8/48 A/10 8/21	A/11 8/14 A/12 8/11 A/13 8/52 A/14 8/30 A/15 8/45	A/16 8/50			
XS15	USSP ussp	-	12/3		A04/B	Fahrsteuerung drive controller	B/1 8/46 B/2 8/47	B/3 8/4 B/4 8/50	B/5 8/49 B/6 8/48	B/7 8/19 B/8 8/19			
XS16	USSP ussp	-	12/5		A04/C	Fahrsteuerung drive controller	C/1 9/44 C/2 9/45	C/3 9/38 C/4 9/47	C/5 9/48 C/6 9/46				
XS17	USSP ussp	-	8/8		A05	Fahrsteuerung drive controller	PBat/B+ 9/28 NBat/B- 9/16	M1/1 9/37 M2/1 9/39	M3/1 9/40				
XS19	USSP ussp	-	8/19		A05/A	Fahrsteuerung drive controller	A/1 9/52 A/2 9/52 A/3 9/22 A/4 9/38 A/5 9/38	A/6 9/52 A/7 9/52 A/8 9/22 A/9 9/23 A/10 9/35	A/11 9/43 A/12 9/41 A/13 9/49 A/14 9/43 A/15 9/43	A/16 9/24			
XS20	USSP ussp	-	8/21		A05/B	Fahrsteuerung drive controller	B/1 9/24 B/2 9/26	B/3 9/26 B/4 9/26	B/5 9/26 B/6 9/26	B/7 9/26 B/8 9/26			
XS23	USSP ussp	-	3/42		A05/C	Fahrsteuerung drive controller	C/1 9/44 C/2 9/45	C/3 9/38 C/4 9/47	C/5 9/48 C/6 9/46				
XS24	USSP ussp	-	3/28		A20	Fleetrecorder fleetrecorder	X1/1 11/3 X1/2 11/5 X1/3 11/13 X1/4 11/12 X1/5 11/12	X1/6 11/3 X1/7 11/17 X1/8 11/9 X1/9 11/13 X1/10 11/12					
XS25	USSP ussp	-	3/19										
XS26	Splice splice	-	3/1										
XS27	Splice splice	-	3/3										
XS28	USSP ussp	-	3/41										
XS29	USSP ussp	-	11/33										
XS30	USSP ussp	-	11/35										
XS31	USSP ussp	-	11/38										
XS32	USSP ussp	-	11/32										
XS33	USSP ussp	-	11/35										
XS34	Splice splice	-	5/16										
XS35	Splice splice	-	5/16										
XS36	USSP ussp	-	5/24										
XS37	USSP ussp	-	5/25										
XS38	USSP ussp	-	5/31										
XS39	USSP ussp	-	5/33										
XS40	USSP ussp	-	5/28										
XS41	USSP ussp	-	5/47										
XS42	USSP ussp	-	5/51										
XS43	USSP ussp	-	6/47										
XS45	USSP ussp	-	12/26										
XS51	USSP ussp	-	6/5										

	Kabelbaum W1 (Variante mit ObBoard Charger) Wiring harness W1 (variant with OnBoard Charger)	97141576		
	Kabelbaum W1 (Variante ohne OnBoard Charger) Wiring harness W1 (variant without OnBoard Charger)	97141584		
	Kabelbaum W1 (Variante mit Anderson-Stecker) Wiring harness W1 (variant with Anderson connector)	97162127		
	Kabelbaum W2 (Variante mit OnBoard Charger) Wiring harness W2 (variant with OnBoard Charger)	97141030		
	Kabelbaum W2 (Variante ohne OnBoard Charger) Wiring harness W2 (variant without OnBoard Charger)	97141048		
	Kabelbaum W3 Wiring harness W3	97167191		
	Kabelbaum W4 Wiring harness W4	97142285		
	Kabelbaum W10 Wiring harness W10	97142590		
	Kabelbaum W18 (Variante Allrad) Wiring harness W18 (variant all-wheel-drive)	97140826		
	Kabelbaum W19 (Variante Allrad) Wiring harness W19 (variant all-wheel-drive)	97140835		
	Kabelbaum W29 wiring harness W29	97145791		
	Kabelbaum W35 (Walzenbürste) wiring harness W35 (cyl. brush)	97149777		
	Kabelbaum W36 (Walzenbürste) wiring harness W36 (cyl. brush)	97149785		
	Kabelbaum W40 (SOW Desinfektion) wiring harness W52 (SOW)	97167704		
	Kabelbaum W51 (Option Kehr-Saug-Vorsatz) wiring harness W51 (front sweeper)	97150692		
	Kabelbaum W52 (Option Seitenbesenanlage) wiring harness W52 (option side broom)	97158943		
	Kabelbaum W53 (Option Seitenbesenanlage) wiring harness W53 (option side broom)	97146161		
	Kabelbaum W54 (Option Kehr-Saug-Vorsatz) Wiring harness (option front sweeper)	97150825		
	Kabelbaum W55 (SOW Desinfektion) wiring harness W55 (SOW)	97167704		
	Kabelbaum W65 (Option Blitzleuchte) Wiring harness W65 (option flashlight)	97144844		
	Kabelbaum W66 (Opt. Blitzleuchte Fahrerschutzdach) Wiring harness W66 (option flashlight roof)	97154231		
	Kabelbaum W67 (Option Warneinrichtung) Wiring harness W67 (option alarm unit)	97156848		
	Kabelbaum W69 (Option BlueSpot) Wiring harness W69 (option blue spot)	97158299		
	Kabelbaum W70 (KUD Satz Arbeitsscheinw.Kehrv.) Wiring harness W70 (Service set working headl. sweeping att)	97158331		
	Kabelsatz WS2 (Variante mit OnBoard Ladegerät) Cable set WS2 (Variant with OnBoard Charger)	97141600		
	Kabelsatz WS2 (Variante ohne OnBoard Ladegerät) Cable set WS2 (variant without OnBoard Charger)	97141618		
	Kabelsatz WS3 cable set WS3	97142970		
	Kabelsatz WS4 (Variante mit OnBoard Ladegerät) cable set WS4 (variant with OnBoard Charger)	97142327		
	Kabelsatz WS4 (variante ohne OnBoard Ladegerät) cable set WS4 (variant without OnBoard Charger)	97142335		
	Kabelsatz WS6 cable set WS6	97145916		
	Kabelsatz WS8 cable set WS8	97140933		
	Kabelsatz WS10 cable set WS10	97142939		
	Kabelsatz WS19 (Variante Allrad) cable set WS19 (variant all-wheel-drive)	97140842		
	Kabelsatz WS20 (Option Kehr-Saug-Vorsatz) Cable set WS20 (option front sweeper)	97154041		
	Kabelsatz WS30 Wiring harness WS30	97140925		
	Stromschiene bus bar	90633553		



- ### Legende
- F02 Sicherung Maschinensteuerung 125A
fuse machine controller 125A
 - F03 Sicherung Fahrsteuerung vorne 150A
fuse drive controller front 150A
 - F04 Sicherung Fahrsteuerung hinten 100A
fuse drive controller rear 100A
 - S01 Schlüsselschalter
key switch
 - X02 6-pol. Fastin-Faston 6.3
6-pol. Fastin-Faston 6.3
 - X60 OBDII Diagnosestecker
OBDII diagnostic connector
 - XS01 USSP
ussp
 - XS04 USSP
ussp
 - XS06 USSP
ussp
 - XS08 USSP
ussp
 - XS14 USSP
ussp

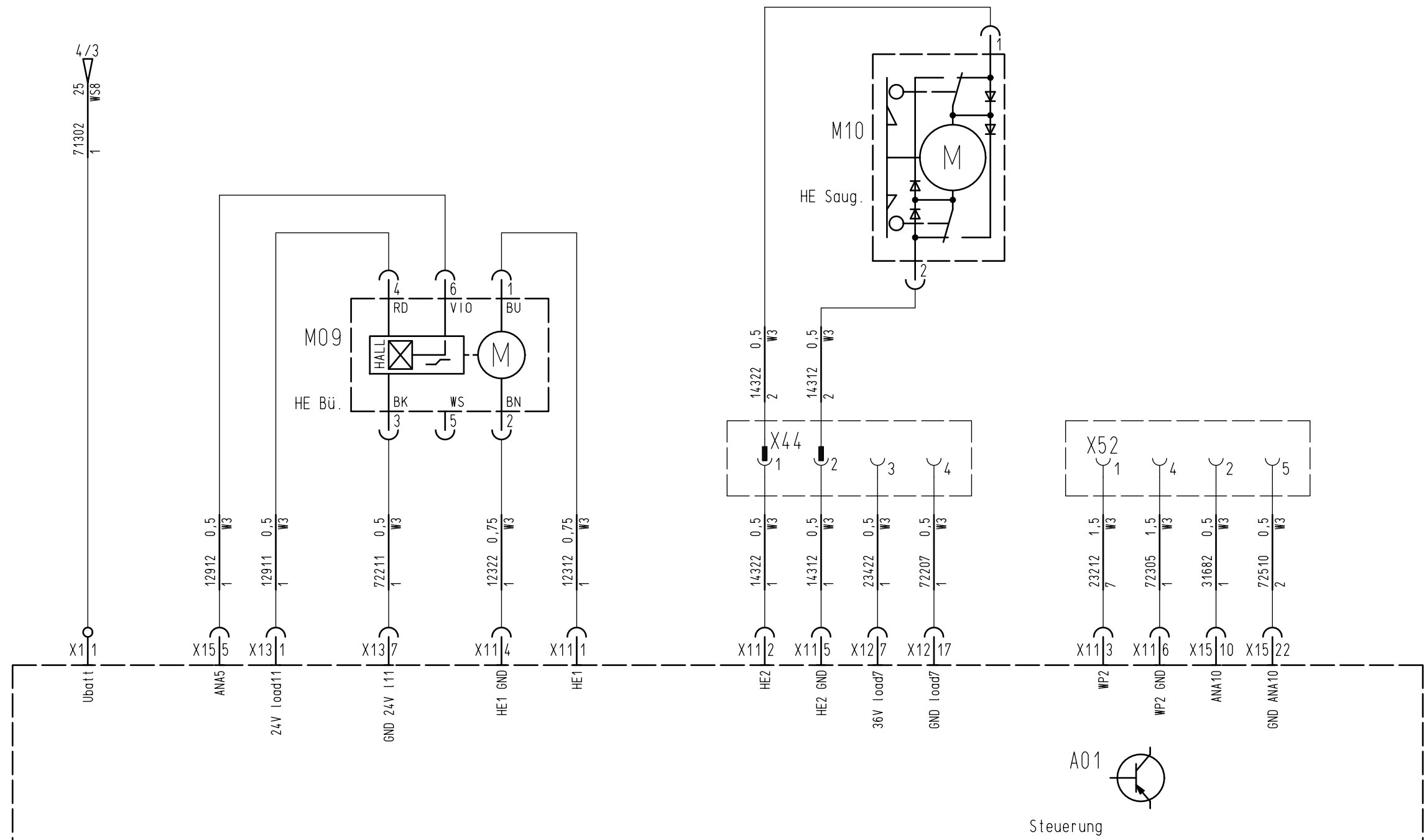
Integrated acc. 4481-00		29.04.21	Ri	2019	Date	Name	B175 R	Name	Schaltplan B175 R / circuit diagram B175 R		 Hako GmbH D-23840 Bad Oldesloe		Drawing Number 91041970		
A2	No. Number appears	Change No.	Date	Name	Standard	Change No.	3905-62	For this drawing we reserve all rights (acc. DIN ISO 16016)			KAB1 470	Type 7434	Dep. DS	No. of Sh. 15	Sheet 4



Legende

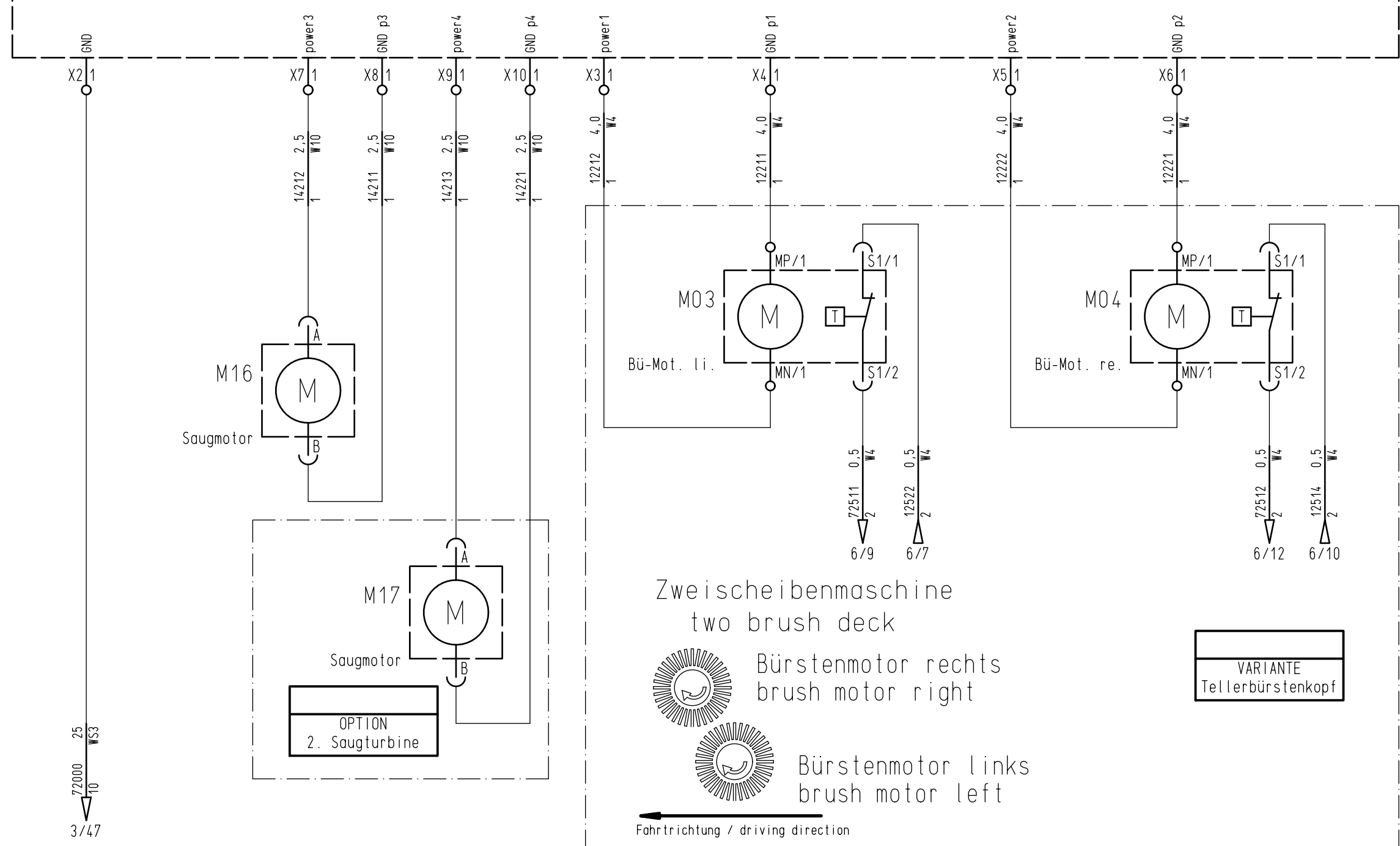
- A01 Maschinensteuerung
machine controller
- A02 Bedienfeld
touch panel
- C01 Entstörkondensator
suppressor capacitor front drive
- H01 Hupe
horn
- V01 Freilaufdiode
recovery diode
- X97 4-pol. USB
4-pol. USB
- X100 VGND M6 Bolzen
VGND M6 bolt
- XS13 USSP
ussp
- XS34 USSP
ussp
- XS35 USSP
ussp
- XS36 USSP
ussp
- XS37 USSP
ussp
- XS38 USSP
ussp
- XS39 USSP
ussp
- XS40 USSP
ussp
- XS41 USSP
ussp
- XS42 USSP
ussp

Integrated acc. 4481-00		29.04.21	Ri	2019	Date	Name	B175 R	Name		 Hako GmbH D-23840 Bad Oldesloe	Drawing Number			
No. Number appears		Change No.	Date	Name	Standard	Drawn by	Replacem. for 91040675	Schaltplan B175 R / circuit diagram B175 R			91041970			
						Verified	Change No. 3905-62	For this drawing we reserve all rights (acc. DIN ISO 16016)			KAB1 470	Type 7434	Dep. DS	No. of Sh. 15



Legende

- A01 Maschinensteuerung
machine controller
- M03 Bürstenmotor links (Tellerbürste)
brush motor left (plate brush)
- M03. Bürstenmotor links (Walzenbürste)
brush motor left (cylindrical brush)
- M03/S1 2-pol. AMP Super-Seal
2-pol. AMP Super-Seal
- M04 Bürstenmotor rechts (Tellerbürste)
brush motor right (plate brush)
- M04. Bürstenmotor rechts (Walzenbürste)
brush motor right (cylindrical brush)
- M04/S1 2-pol. AMP Super-Seal
2-pol. AMP Super-Seal
- M09 Hubelement Bürstendeck
lifting element brushdeck
- M10 Hubelement Saugfuß
lifting element squeegee
- M16 Saugmotor
suction motor
- M17 Saugmotor
suction motor
- X44 4-pol. Fastin-Faston 6.3
4-pol. Fastin-Faston 6.3
- X52 6-pol. Mini-Fit Jr.
6-pol. Mini Fit Jr.



Zweischeibenmaschine
two brush deck

Bürstenmotor rechts
brush motor right

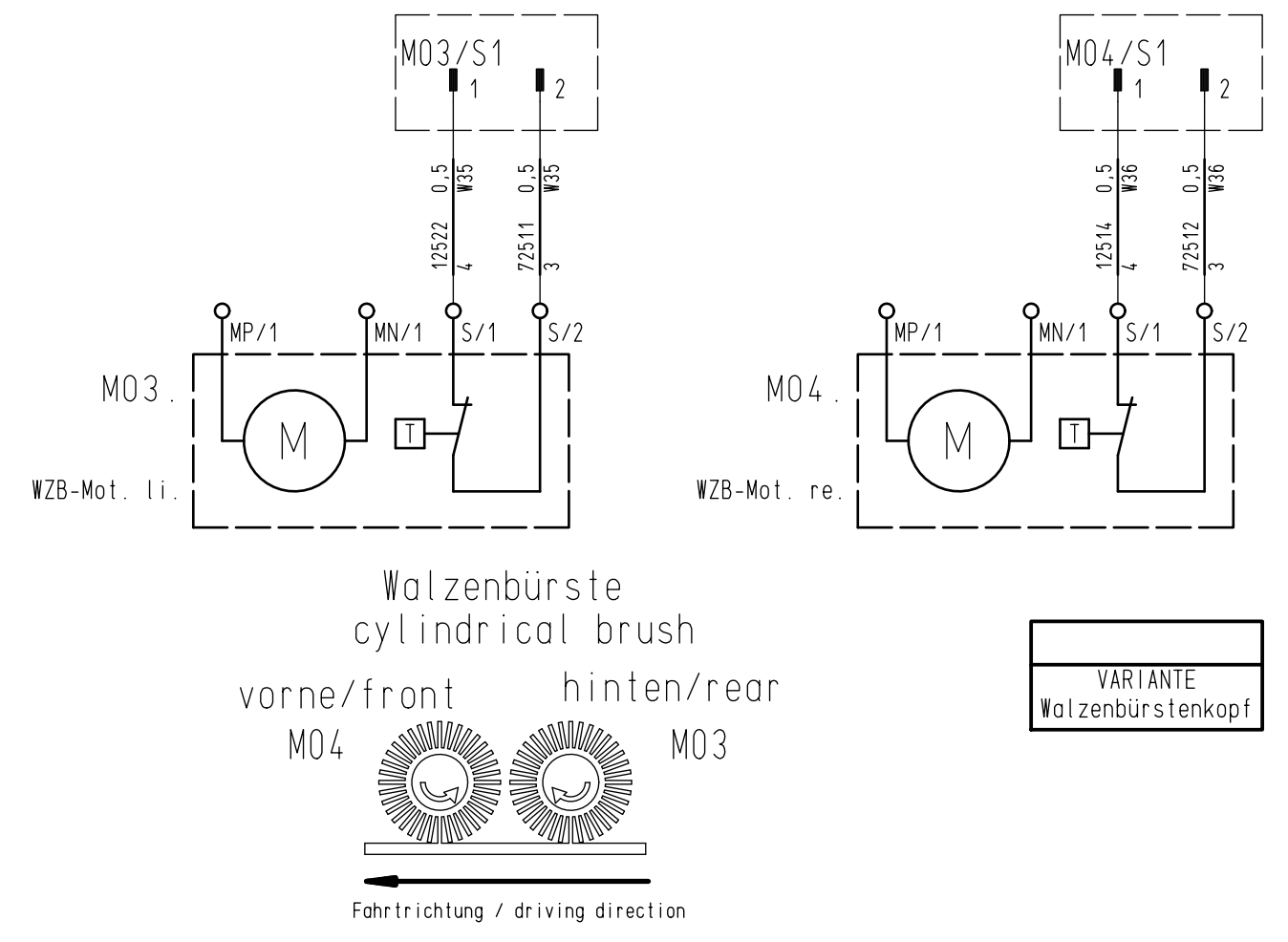
Bürstenmotor links
brush motor left

Fahrtrichtung / driving direction

VARIANTE
Tellerbürstenkopf

Anschlussplan / connecting plan

- M03./MP an/at A01/X4
- M03./MN an/at A01/X3
- M04./MP an/at A01/X6
- M04./MN an/at A01/X5



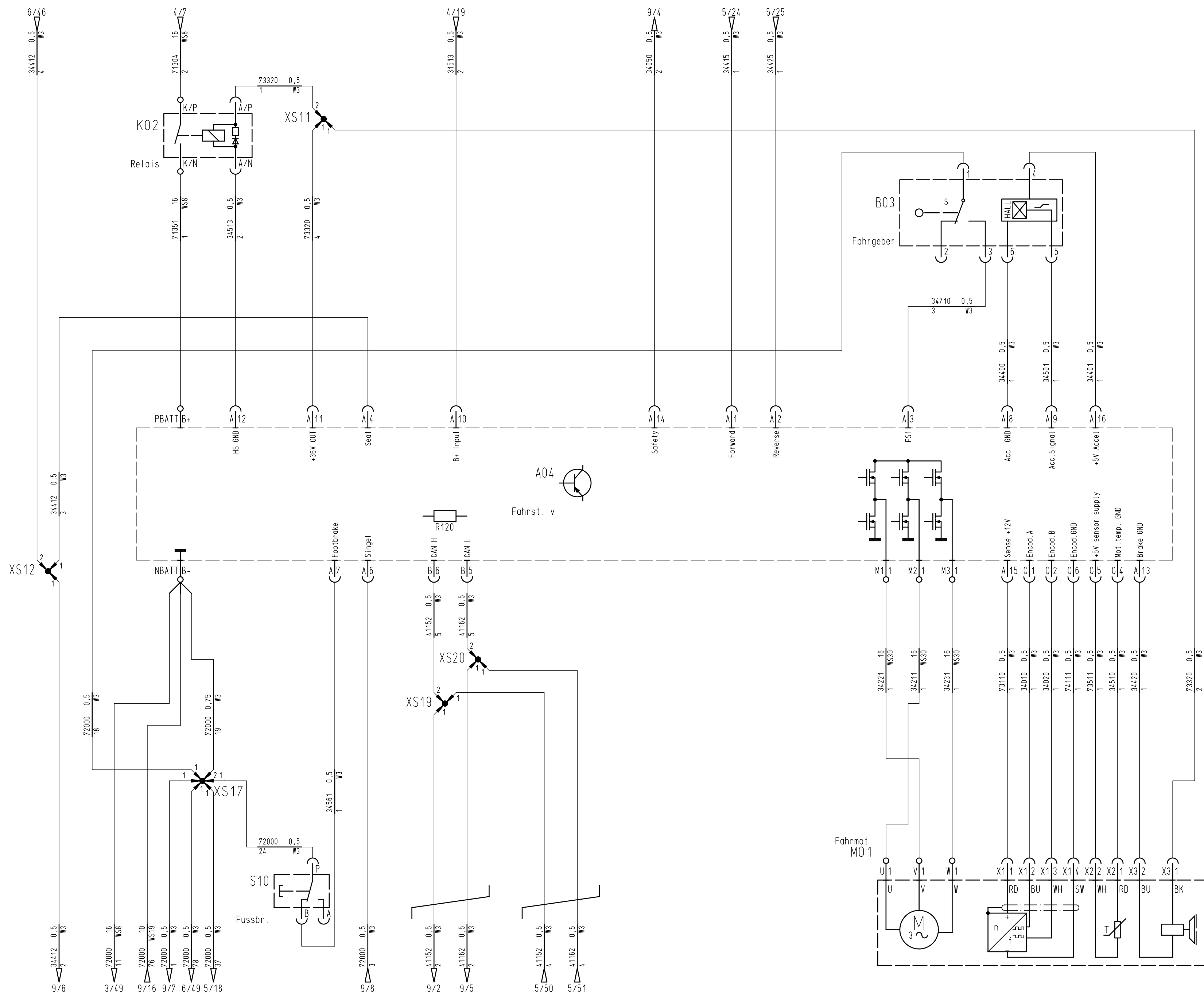
Walzenbürste
cylindrical brush

vorne/front hinten/rear
M04 M03

Fahrtrichtung / driving direction

VARIANTE
Walzenbürstenkopf

Integrated acc. 4481-00		29.04.21		Ri		2019 Date Name		B175 R		Name		Hako GmbH D-23840 Bad Oldesloe		Drawing Number	
No. Number appears		Change No.		Date		Name		Replacem. for 91040675		Schaltplan B175 R / circuit diagram B175 R				91041970	
Standard		Change No.		Date		Name		Change No. 3905-62		For this drawing we reserve all rights (acc. DIN ISO 16016)		KAB1 470 Type 7434 Dep. DS		No. of Sh. 15 Sheet 7	



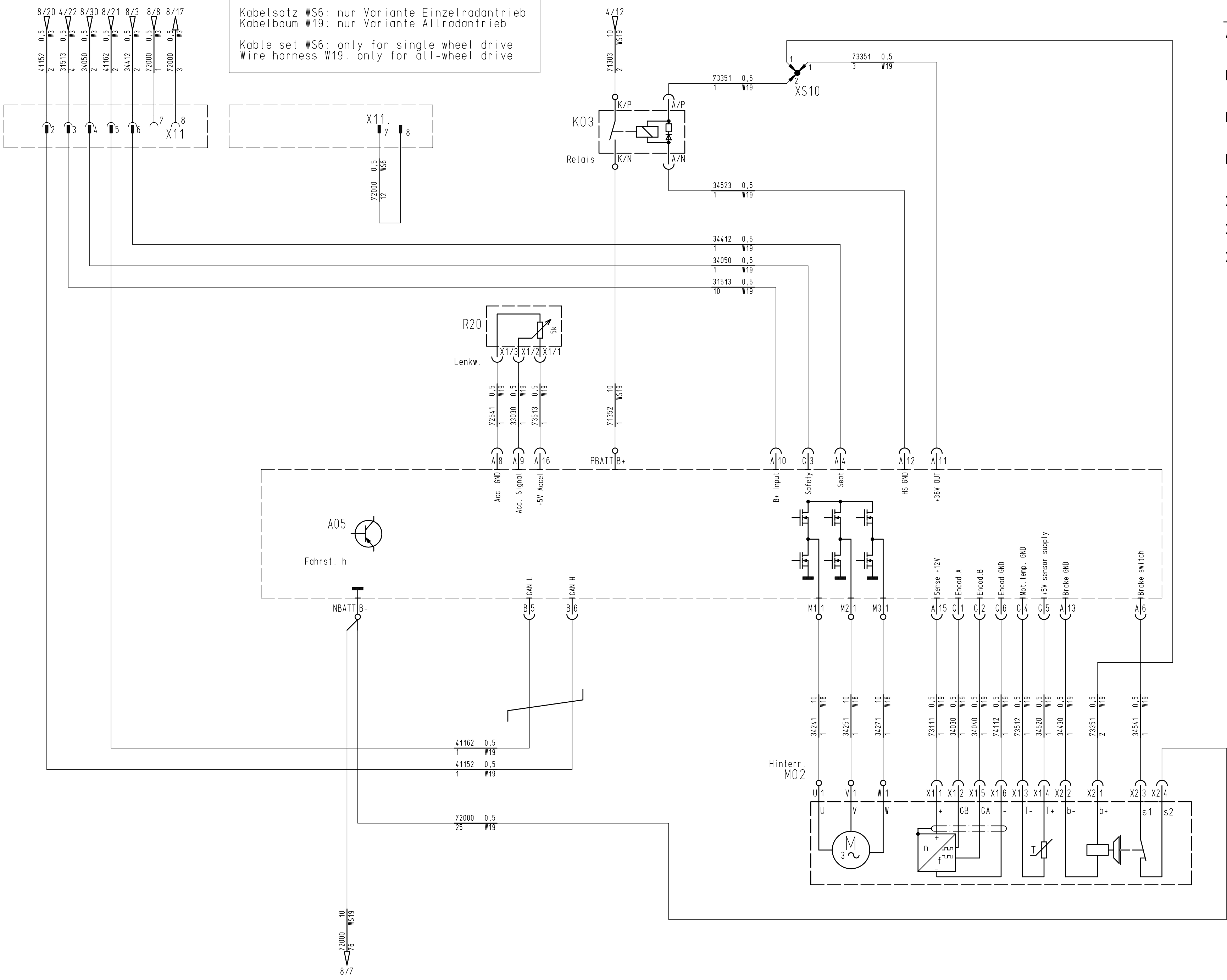
Legende

- A04 Fahrsteuerung Vorderrad
drive controller
- B03 Fahrgeber
accelerator
- K02 Relais 1-pol.
relais 1-pole
- M01 Fahrmotor
drive motor
- S10 Fußbremsschalter
switch foot brake
- XS11 USSP
ussp
- XS12 USSP
ussp
- XS17 USSP
ussp
- XS19 USSP
ussp
- XS20 USSP
ussp

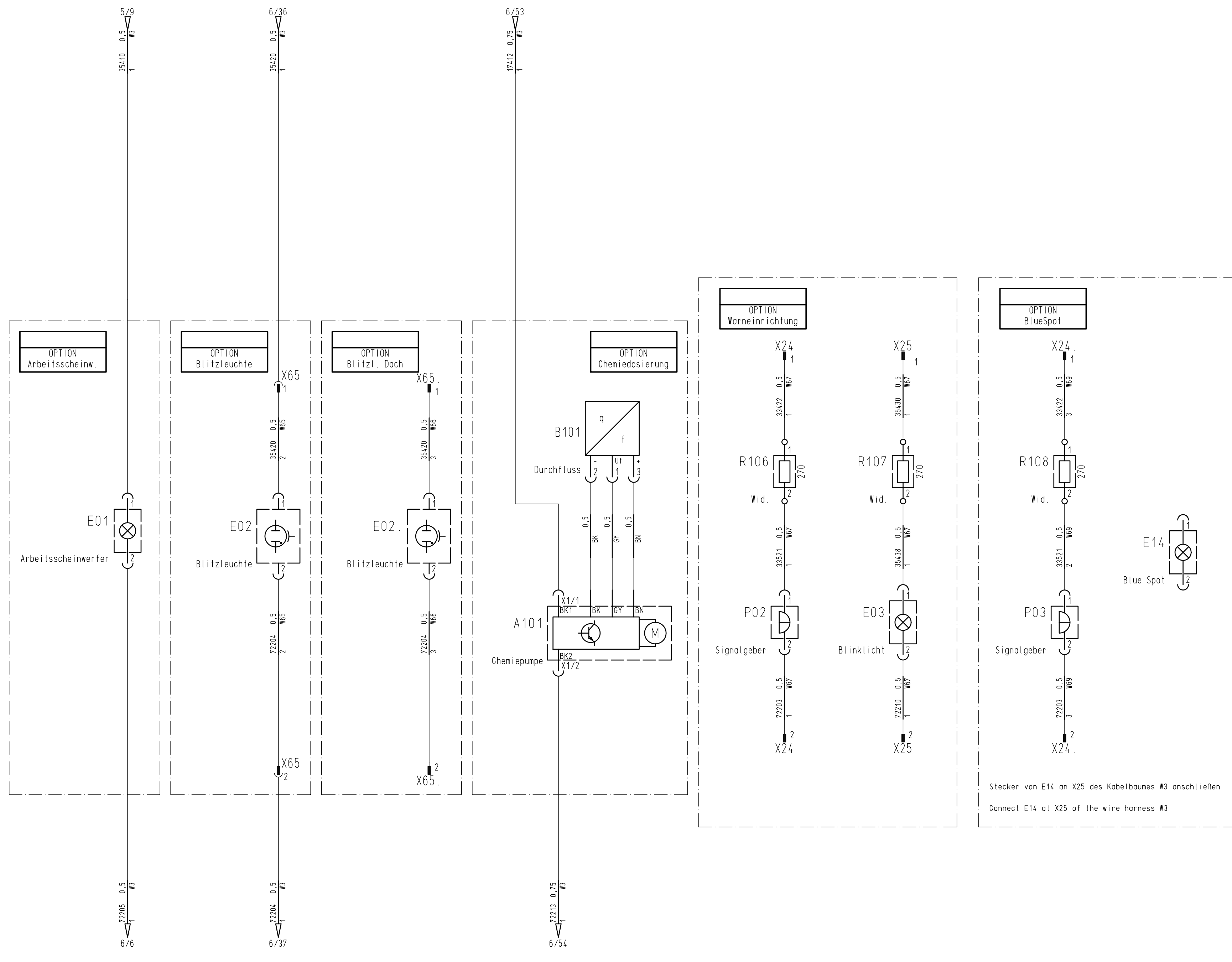
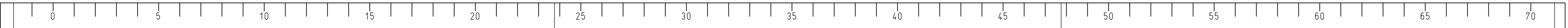
Integrated acc. 4481-00		29.04.21	Ri	2019	Date	Name	B175 R	Name	 Hako GmbH D-23840 Bad Oldesloe	Drawing Number		
A2 No. Number appears		Change No.	Date	Name	Standard	Change No.	3905-62	Schaltplan B175 R / circuit diagram B175 R		91041970		
For this drawing we reserve all rights (acc. DIN ISO 16016)								KAB1 470	Type 7434	Dep. DS	No. of Sh. 15	Sheet 8

Kabelsatz WS6: nur Variante Einzelradantrieb
 Kabelbaum W19: nur Variante Allradantrieb
 Cable set WS6: only for single wheel drive
 Wire harness W19: only for all-wheel drive

- ### Legende
- A05 Fahrsteuerung Hinterrad
drive controller
 - K03 Relais 1-pol.
relais 1-pole
 - M02 Hinterradantrieb
drive motor rear
 - R20 Lenkwinkelsensor
sensor steer angel
 - X11 8-pol. Mini-Fit Jr.
8-pol. Mini-Fit Jr.
 - X11. 8-pol. Mini-Fit Jr.
8-pol. Mini-Fit Jr.
 - XS10 USSP
ussp



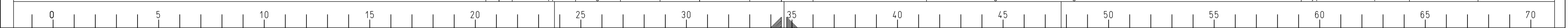
Integrated acc. 4481-00		29.04.21	Ri	2019	Date	Name	B175 R	Name		 Hako GmbH D-23840 Bad Oldesloe	Drawing Number			
A2 No. Number appears		Change No.	Date	Name	Standard	Change No.	3905-62	Schaltplan B175 R / circuit diagram B175 R			91041970			
								For this drawing we reserve all rights (acc. DIN ISO 16016)			KAB1 470	Type 7434	Dep. DS	No. of Sh. 15



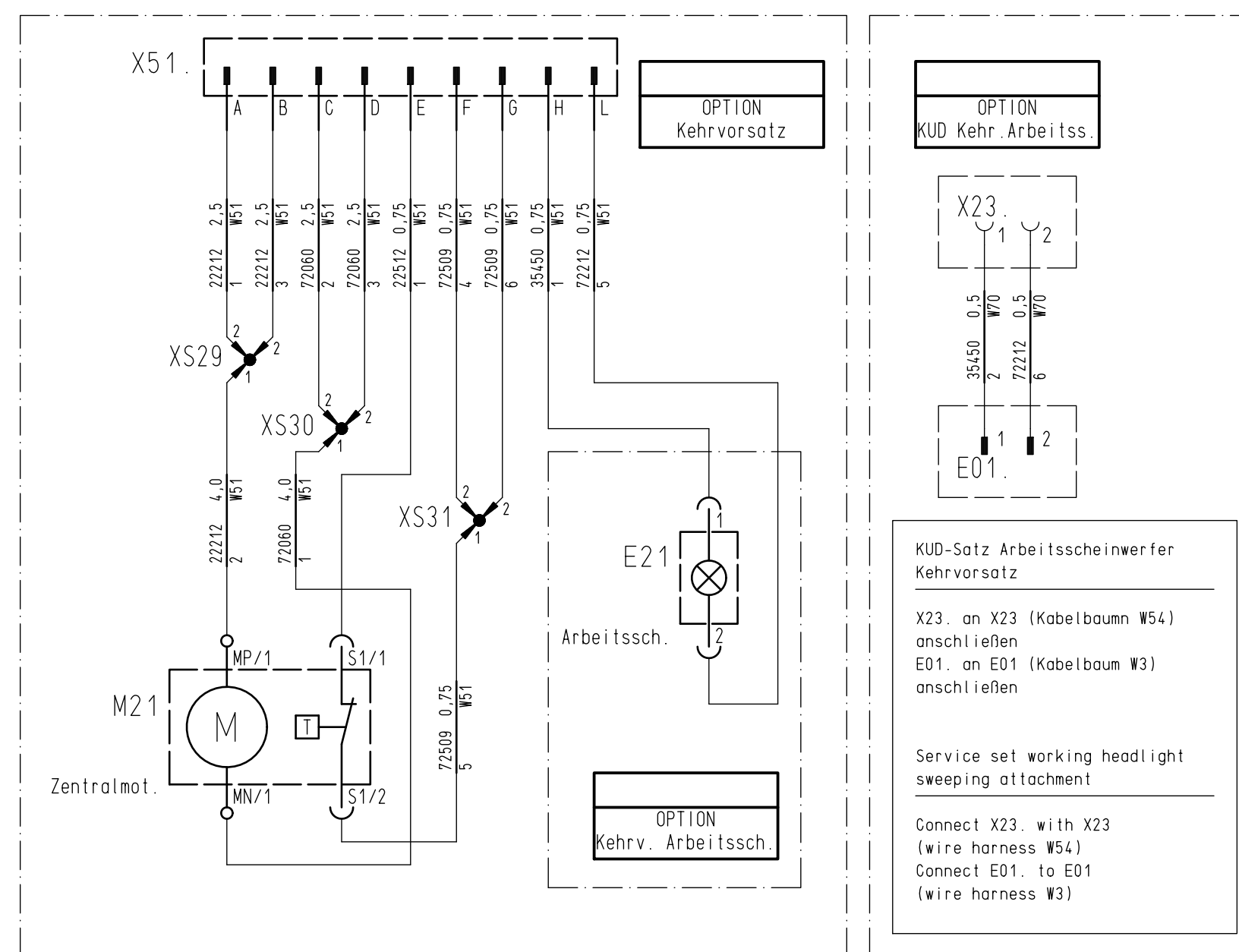
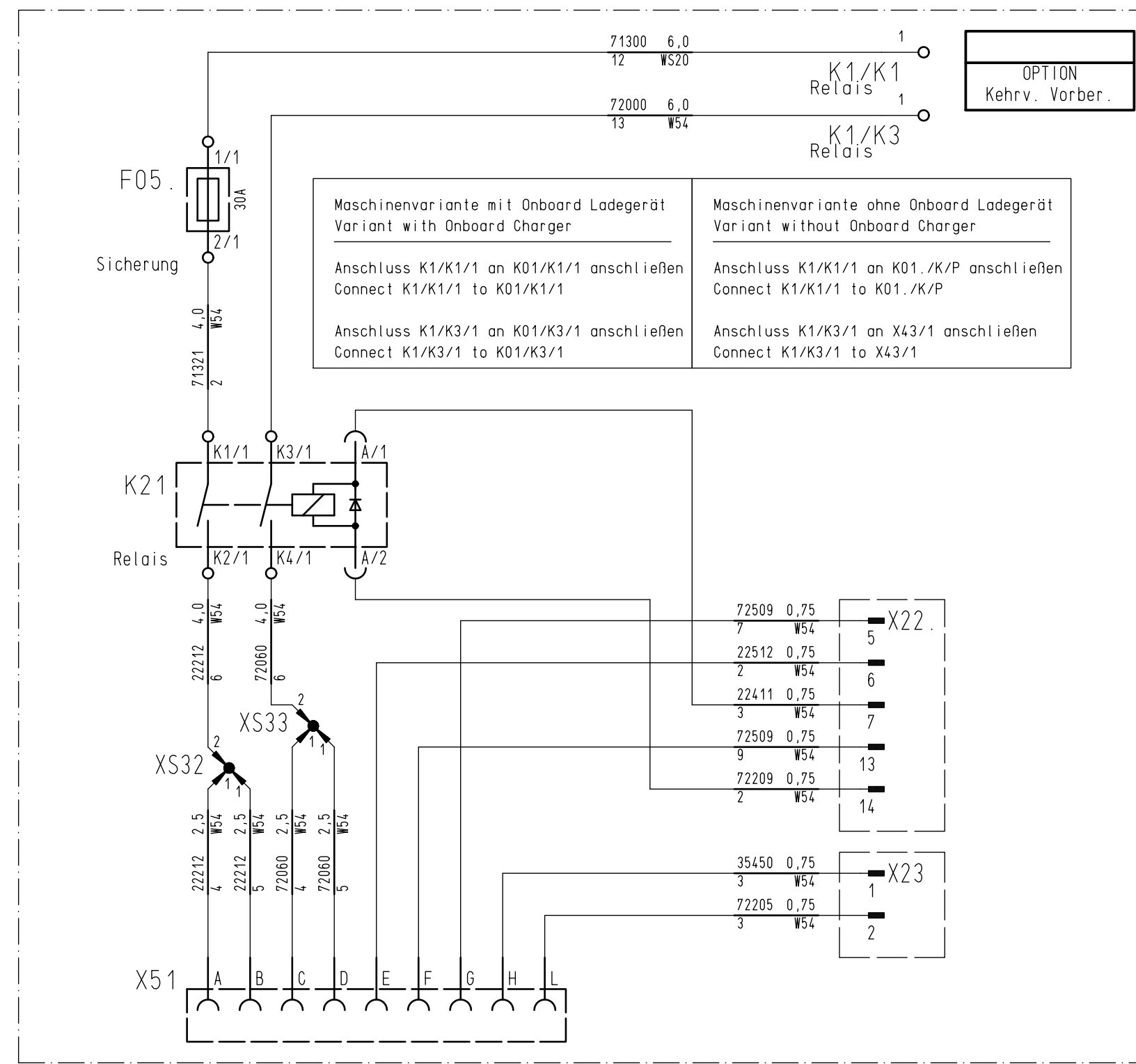
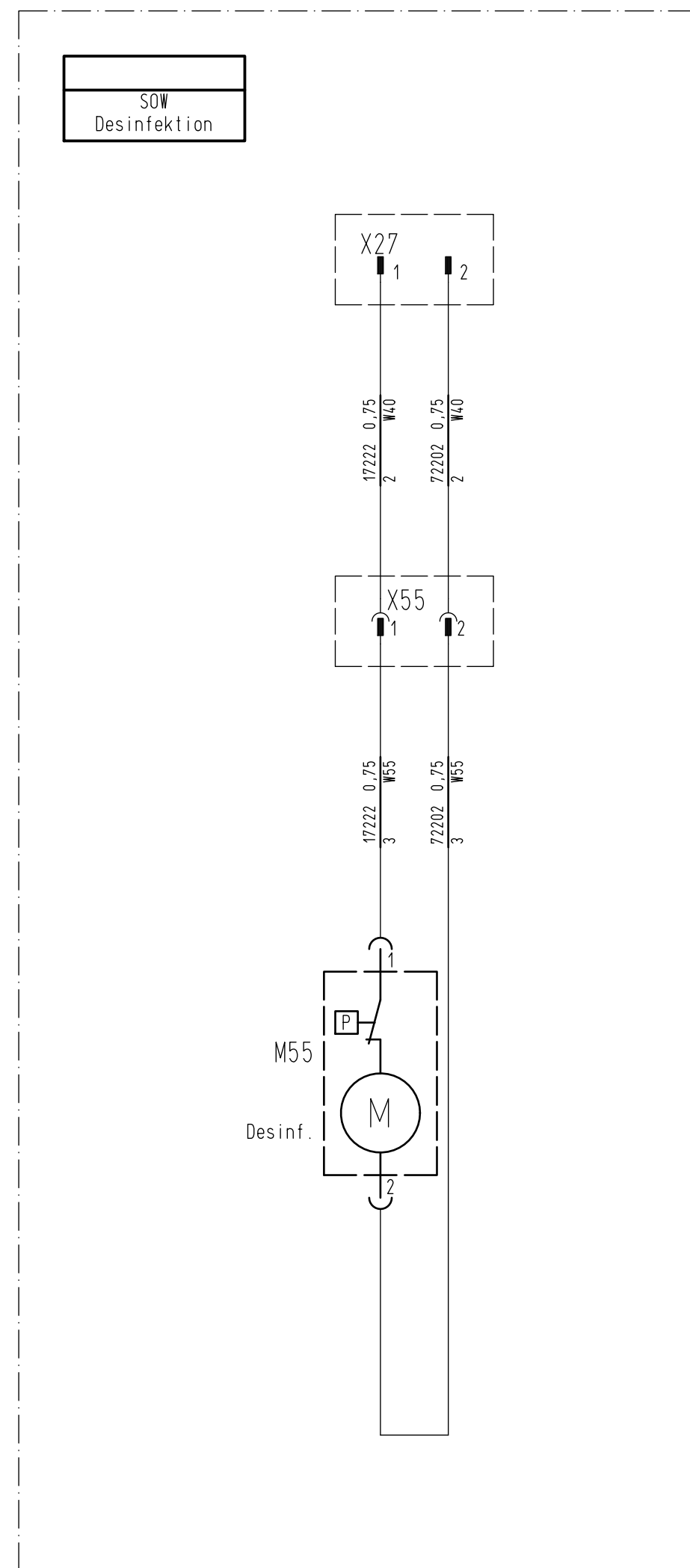
Legende

- A101 Chemiepumpensteuerung
chemical pump controller
- B101 Durchflussmesser
flow sensor
- E01 Arbeitsscheinwerfer
working headlight
- E02 Blitzleuchte
warning beacon
- E02. Blitzleuchte am Schutzdach
warning beacon on overhead cover
- E03 Blinklicht
warning beacon
- E14 Blue Spot
blue spot
- P02 Signalgeber
buzzer
- P03 Signalgeber
buzzer
- R106 Vorwiderstand R270
resistor R270
- R107 Vorwiderstand R270
resistor R270
- R108 Vorwiderstand R270
resistor R270
- X24 2-pol. Microfit
2-pol. Microfit
- X24. 2-pol. Microfit
2-pol. Microfit
- X25 2-pol. Mini-Fit Jr.
2-pol. Mini-Fit Jr.
- X65 2-pol. Mini-Fit Jr.
2-pol. Mini-Fit Jr.
- X65. 2-pol. Mini-Fit Jr.
2-pol. Mini-Fit Jr.

Stecker von E14 an X25 des Kabelbaumes W3 anschließen
Connect E14 at X25 of the wire harness W3



	Integrated acc.	4481-00	29.04.21	Ri	2019	Date	Name	B175 R	Name	 <small>Hako GmbH D-23840 Bad Oldesloe</small>	Drawing Number		
	No. Number appears	Change No.	Date	Name	Standard	Drawn by	Verified	Replacem. for 91040675	Schaltplan B175 R / circuit diagram B175 R		91041970		
A2								Change No. 3905-62	For this drawing we reserve all rights (acc. DIN ISO 16016)	KAB1 470	Type 7434 Dep. DS	No. of Sh. 15	Sheet 10



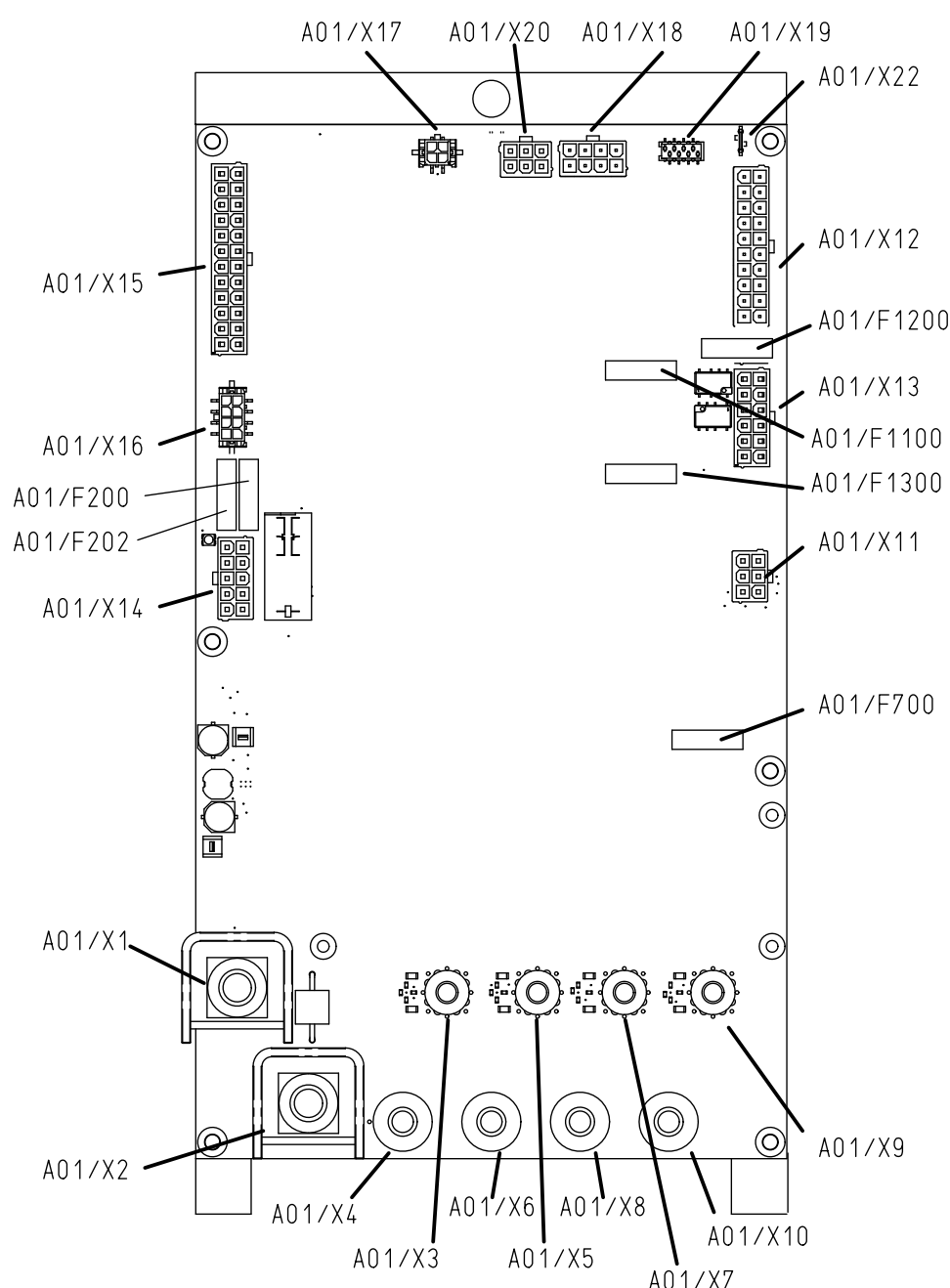
Legende

- E01. Arbeitsscheinwerfer
working headlight
- E21. Arbeitsscheinwerfer Anbauteil
working headlight attached part
- F05. Sicherung Kehr-Saugvorsatz 30A
fuse front sweeper 30A
- K1/K1. Hauptrelais 2-pol.
main relays 2-pole
- K1/K3. Hauptrelais 2-pol.
main relays 2-pole
- K21. Relais 2-pol.
relays 2-pole
- M21. Zentralmotor
combined motor
- M55. Pumpe Desinfektion
pump disinfection
- X22. 14-pol. Mini-Fit Jr.
14-pol. Mini-Fit Jr.
- X23. 2-pol. Mini-Fit Jr.
2-pol. Mini-Fit Jr.
- X27. 3-pol. Fastin-Faston 6.3
3-pol. Fastin-Faston 6.3
- X51. 9-pol. Anbauteil
9-pol. attached part
- X51. 9-pol. Anbauteil
9-pol. attached part
- X55. 2-pol. AMP Super-Seal
2-pol. AMP Super-Seal
- XS29. USSP
ussp
- XS30. USSP
ussp
- XS31. USSP
ussp
- XS32. USSP
ussp
- XS33. USSP
ussp

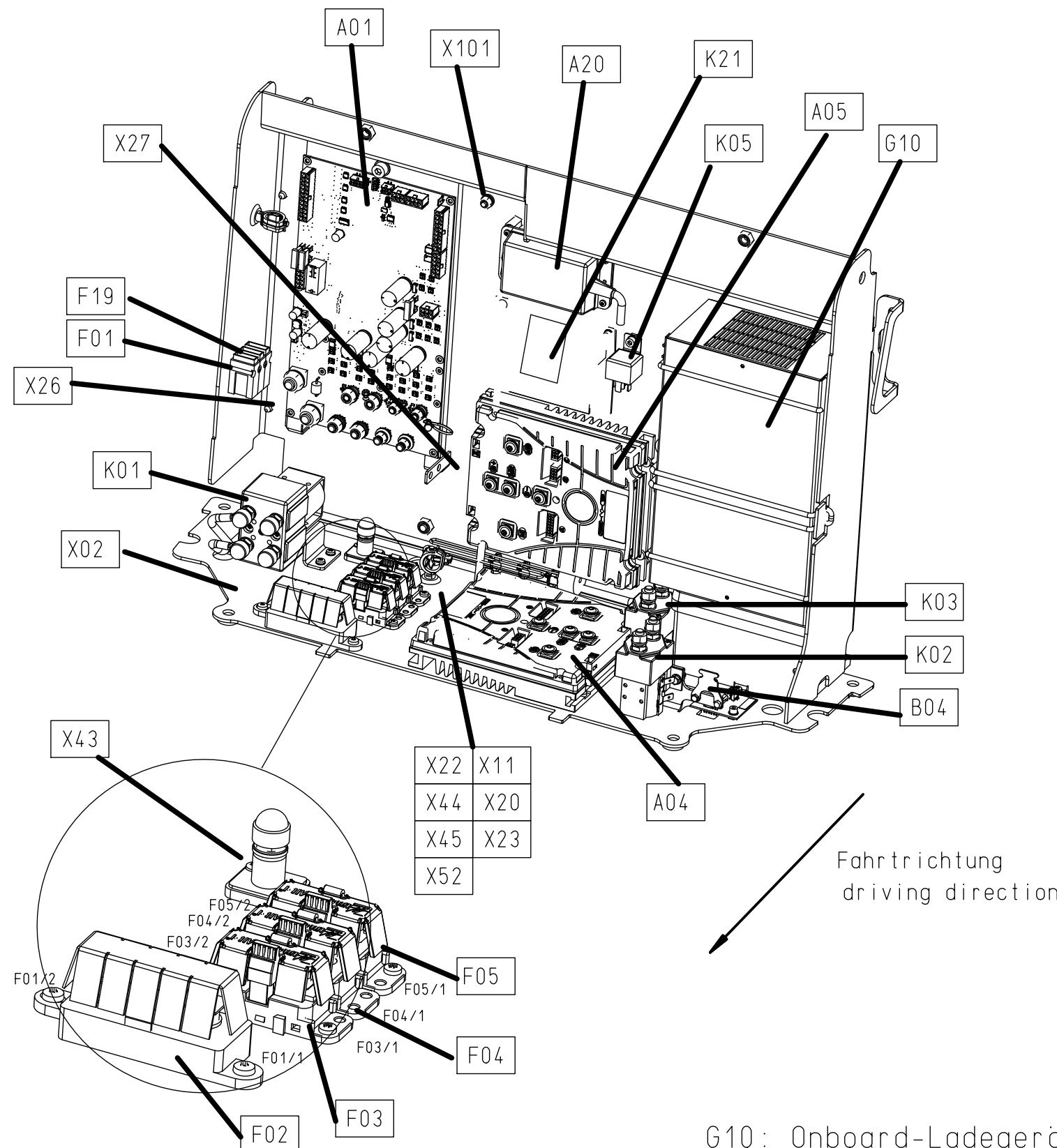
2-pol.

Integrated acc. 4481-00		29.04.21	Ri	2019	Date	Name	B175 R	Name	Schaltplan B175 R / circuit diagram B175 R				Drawing Number	
No. Number appears		Change No.	Date	Name	Standard	21.04.	Replacem. for 91040675	Schaltplan B175 R / circuit diagram B175 R		KABI 470		91041970		
Change No.		Date	Name	Standard	2019	Date	Change No.	For this drawing we reserve all rights (acc. DIN ISO 16016)		Type 7434		No. of Sh. 15		
Date		Name	Standard	2019	Date	Name	Change No.	For this drawing we reserve all rights (acc. DIN ISO 16016)		Dep. DS		Sheet 11		

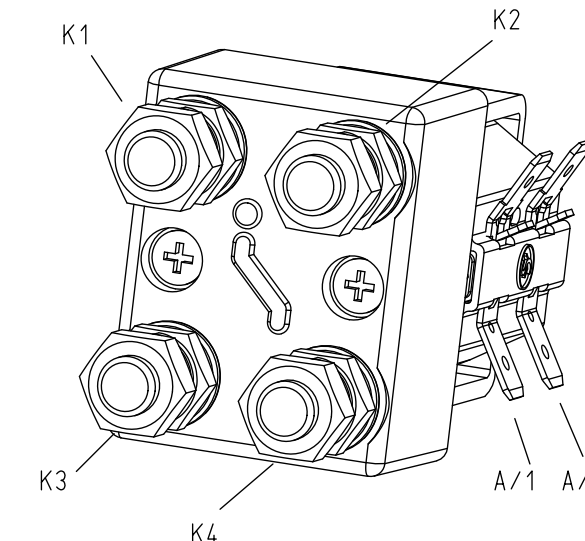
A01: Maschinensteuerung
A01: machine controller



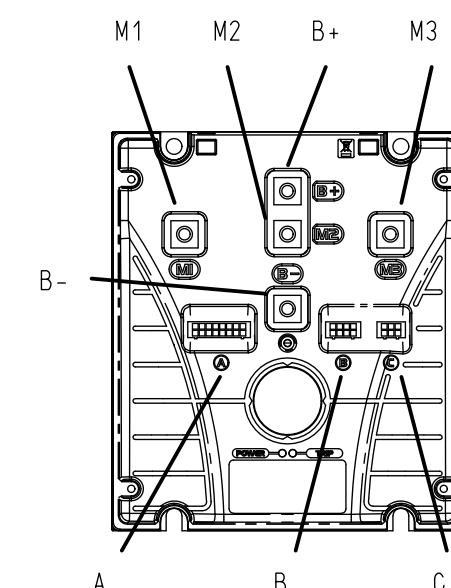
Elektronikraum
electronic space



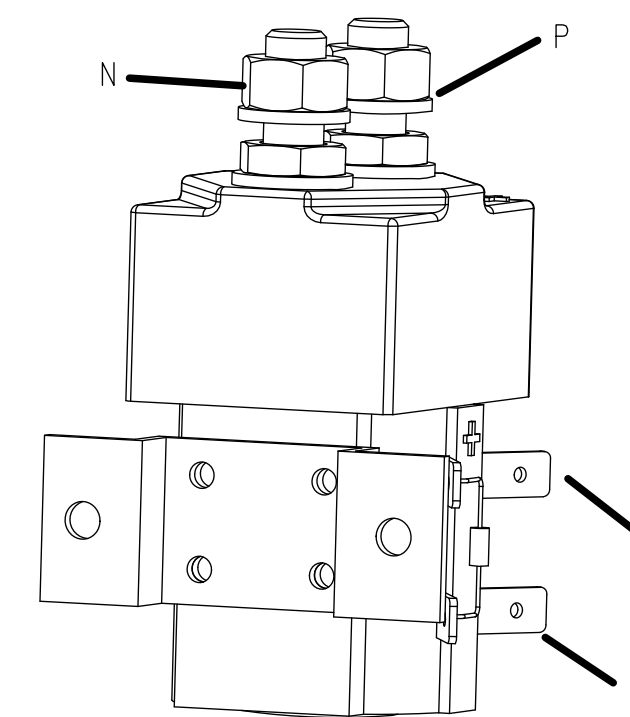
K21: Relais
K21: relay



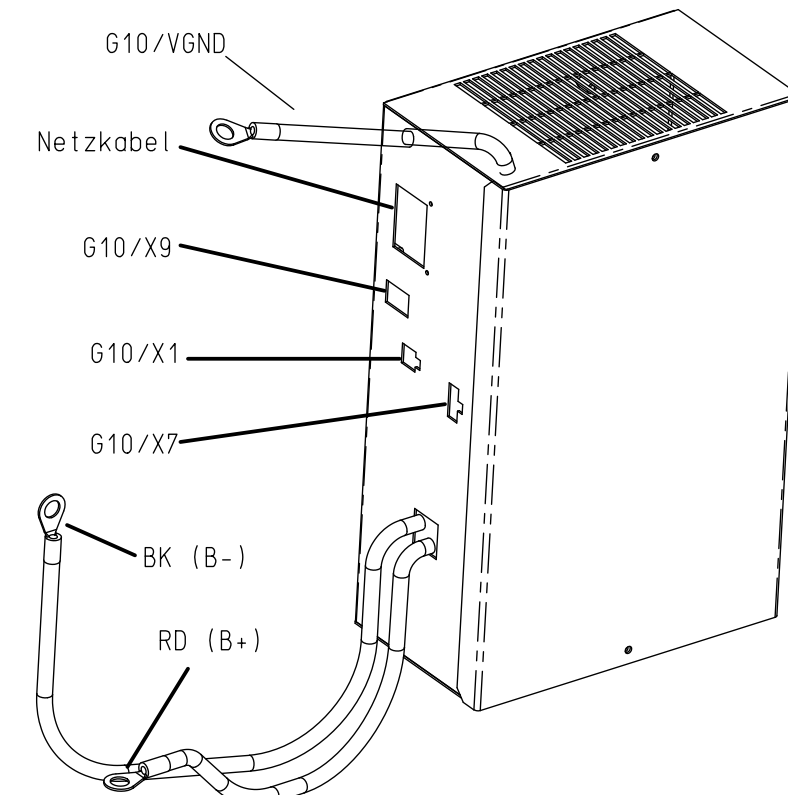
A05: Fahrsteuerung
A05: drive controller



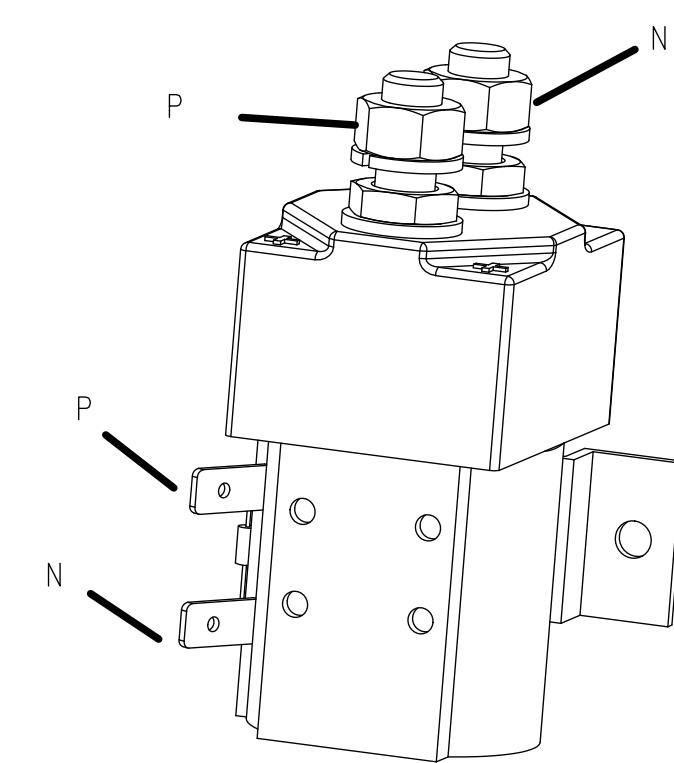
K03: Relais
K03: relay



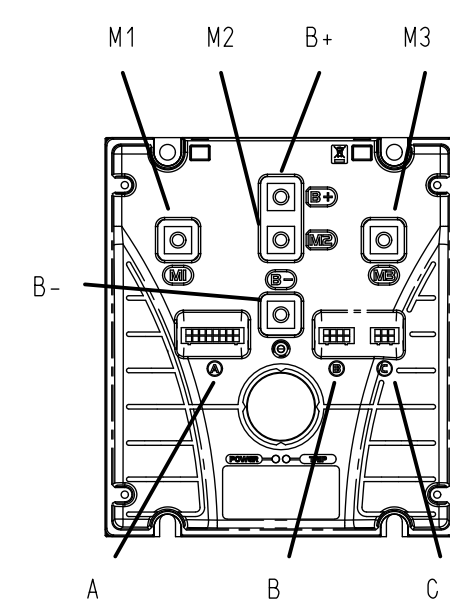
G10: Onboard-Ladegerät
G10: on board charger



K02: Relais
K02: relay

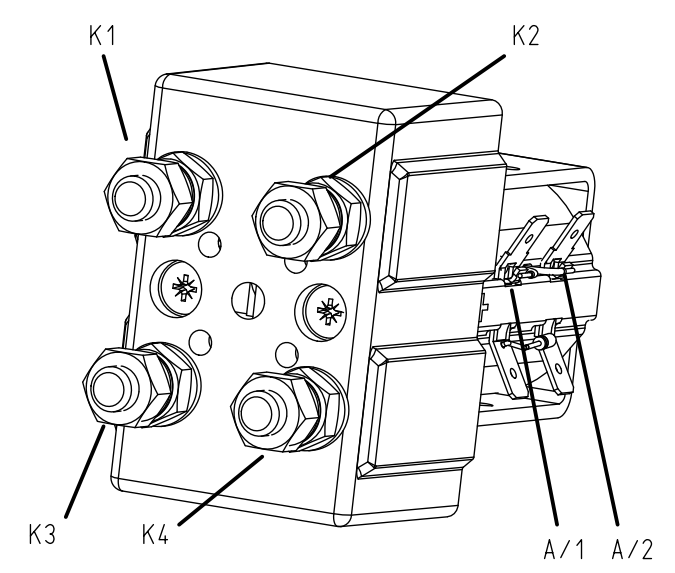
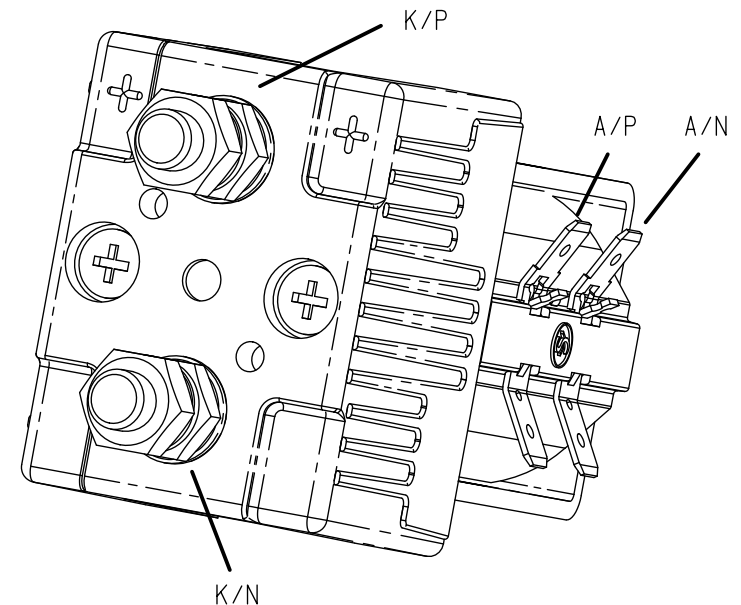


A04: Fahrsteuerung
A04: drive controller



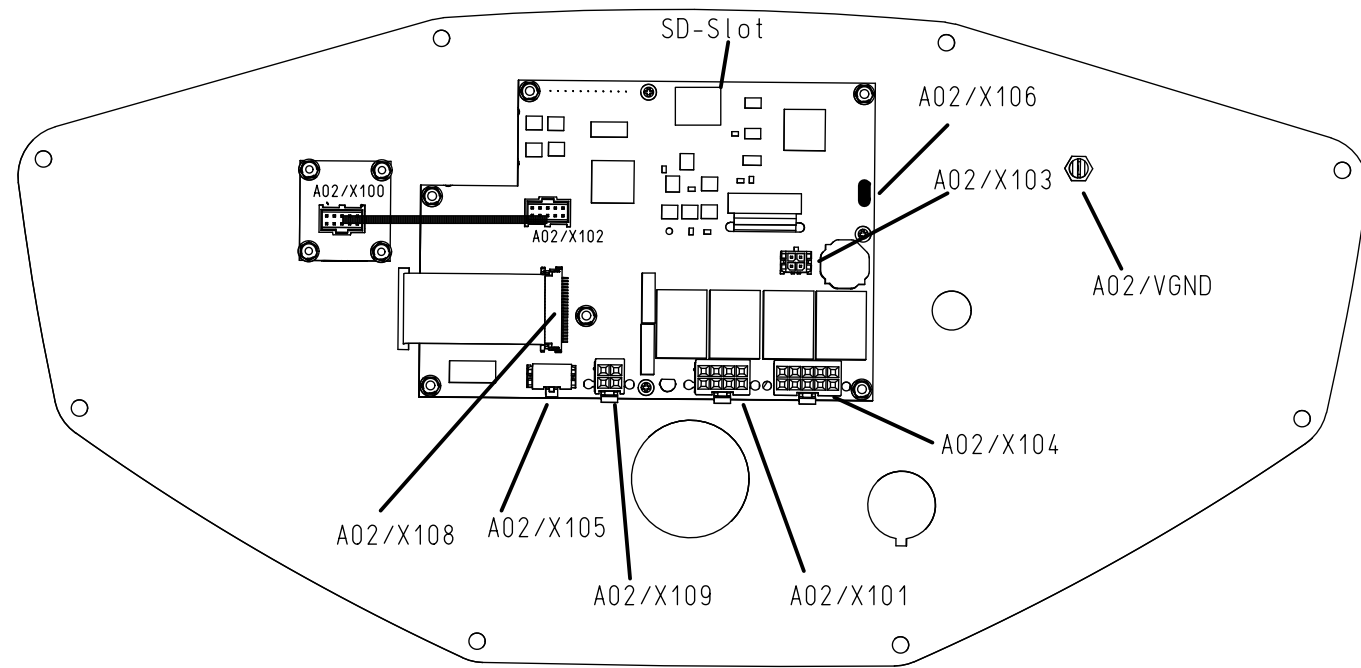
K01: Relais (ohne Onboard-Ladegerät)
K01: relay (without Onboard-Charger)

K01: Relais (mit Onboard-Ladegerät)
K01: relay (with Onboard-Charger)

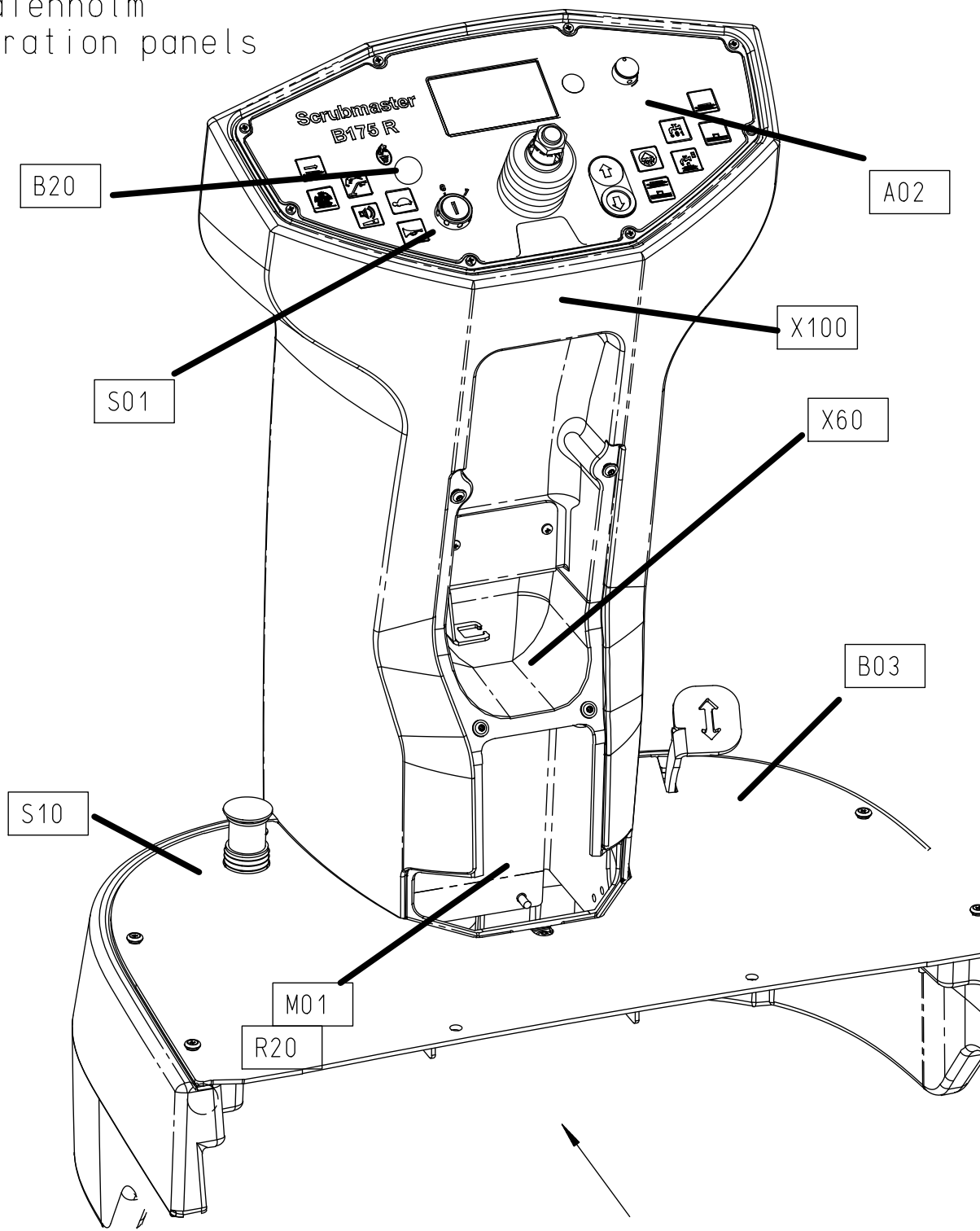


Integrated acc.		4481-00	29.04.21	Ri	2019	Date	Name	B175 R	Name	Schaltplan B175 R / circuit diagram B175 R	Hako Hako GmbH D-23840 Bad Oldesloe	Drawing Number		
A2 No. Number appears		Change No.	Date	Name	Standard	21.04.	Ri	Replacem. for 91040675	For this drawing we reserve all rights (acc. DIN ISO 16016)			KAB1 470	Type 7434	Dep. DS
								Change No. 3905-62						

A02: Bedienfeld (Blick auf Platine)
 A02: control panel (view of the board)

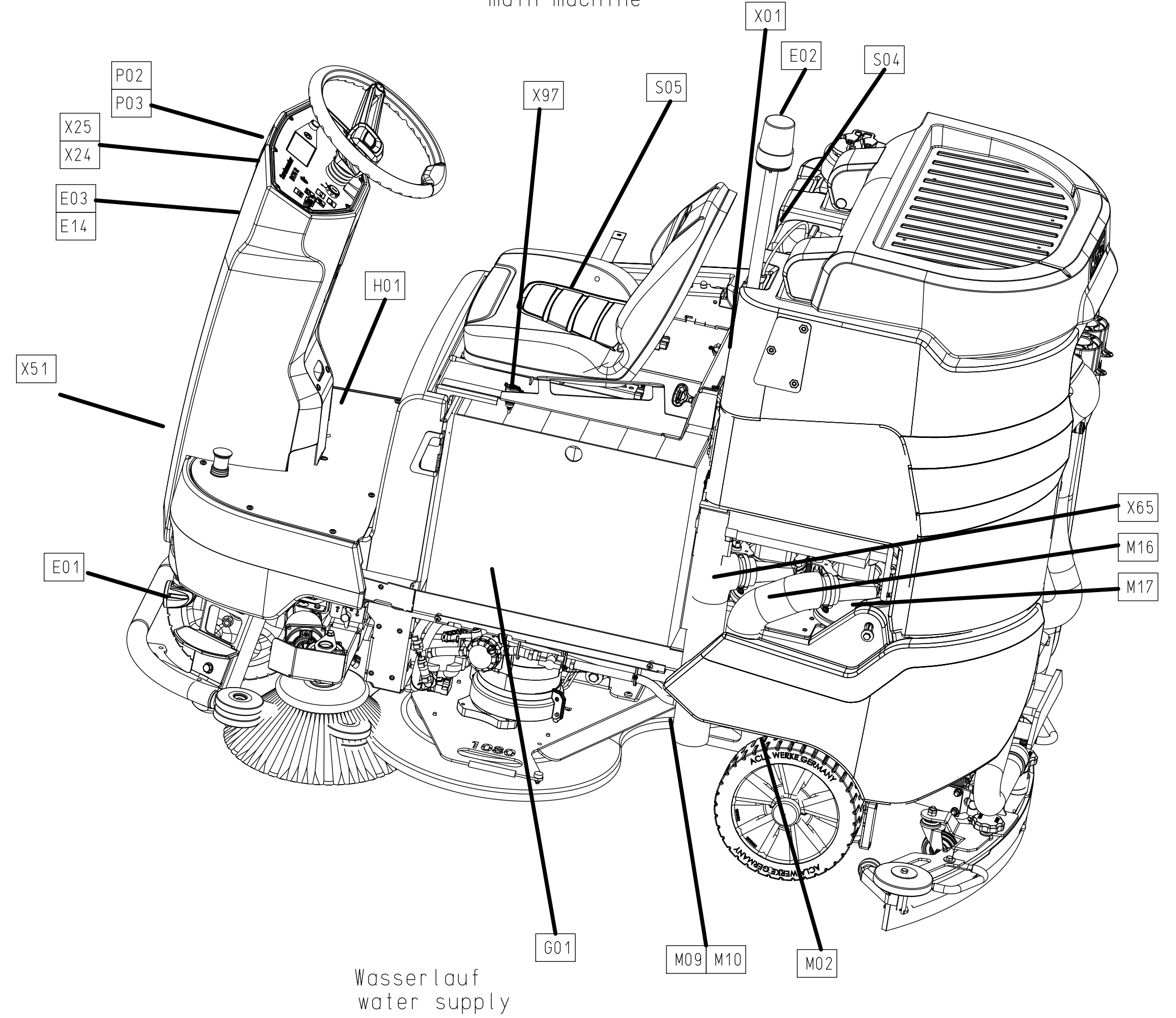


Bedienholm
 operation panels

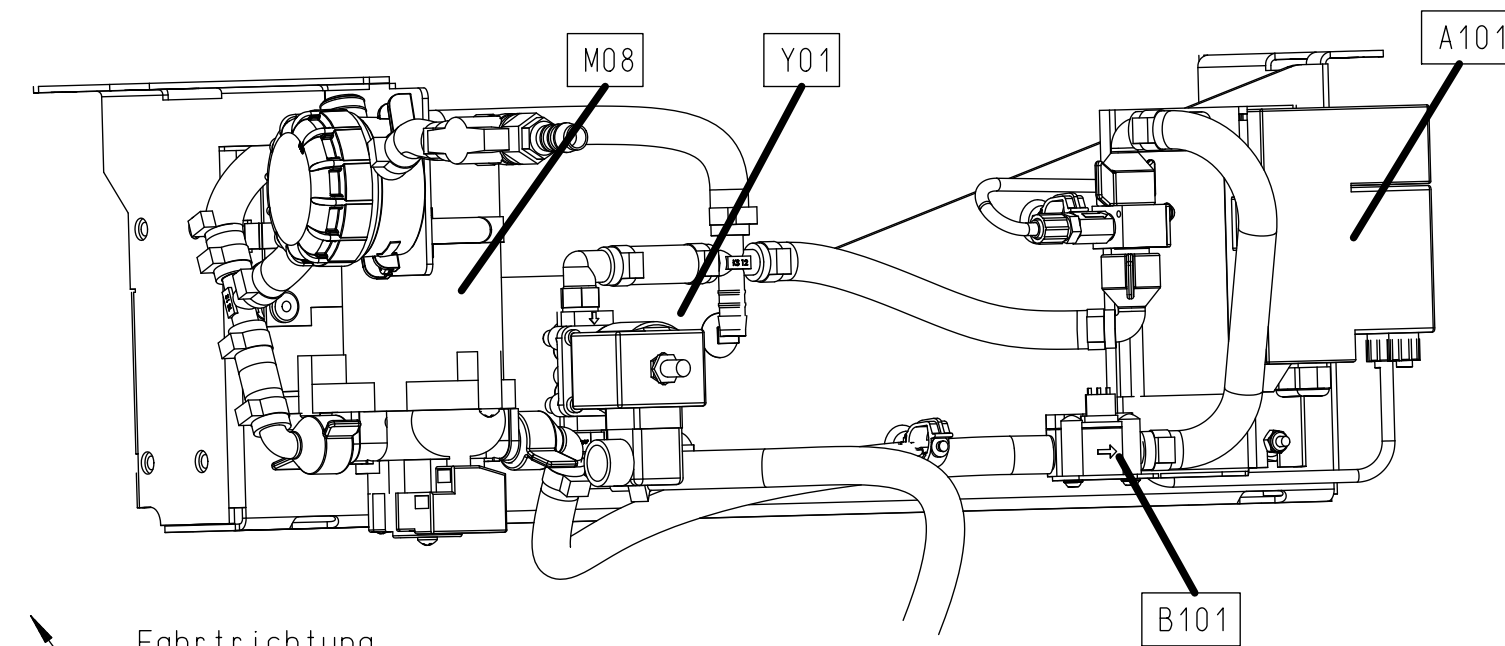


Fahrtrichtung
 driving direction

Gesamtmaschine
 main machine

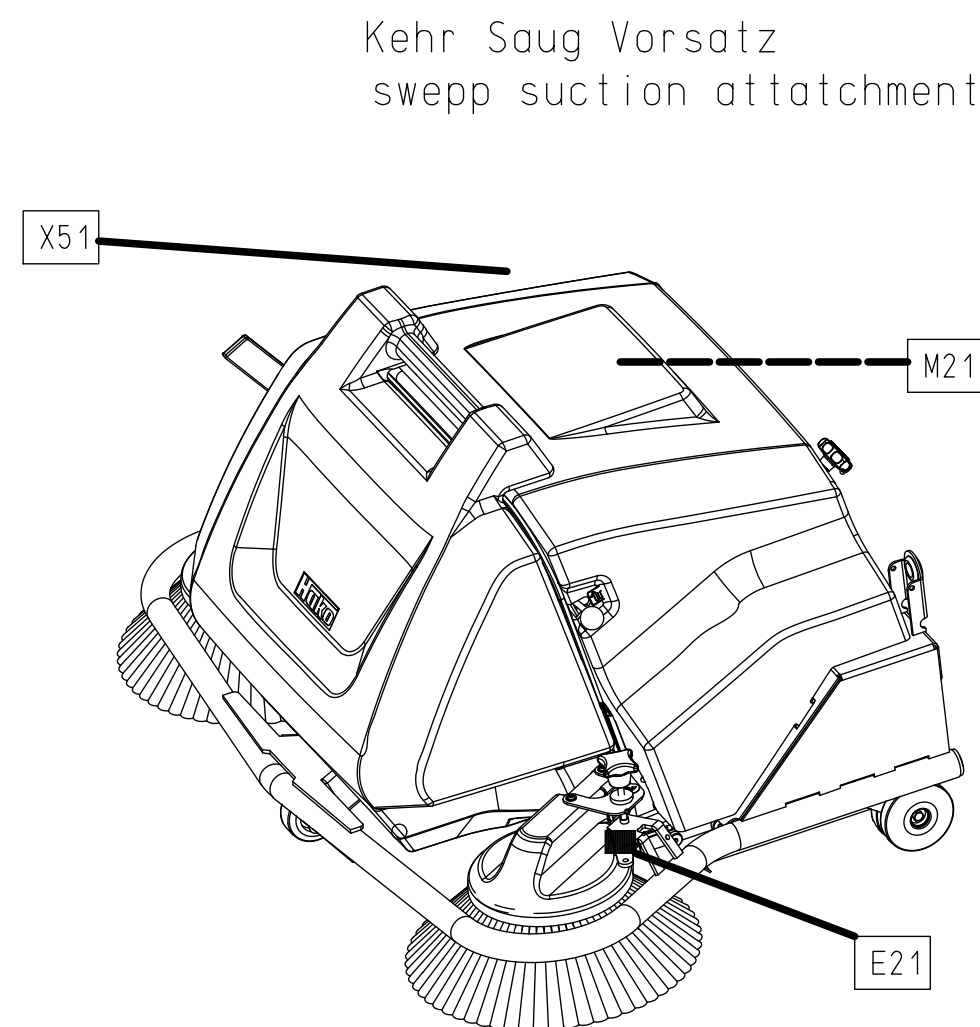
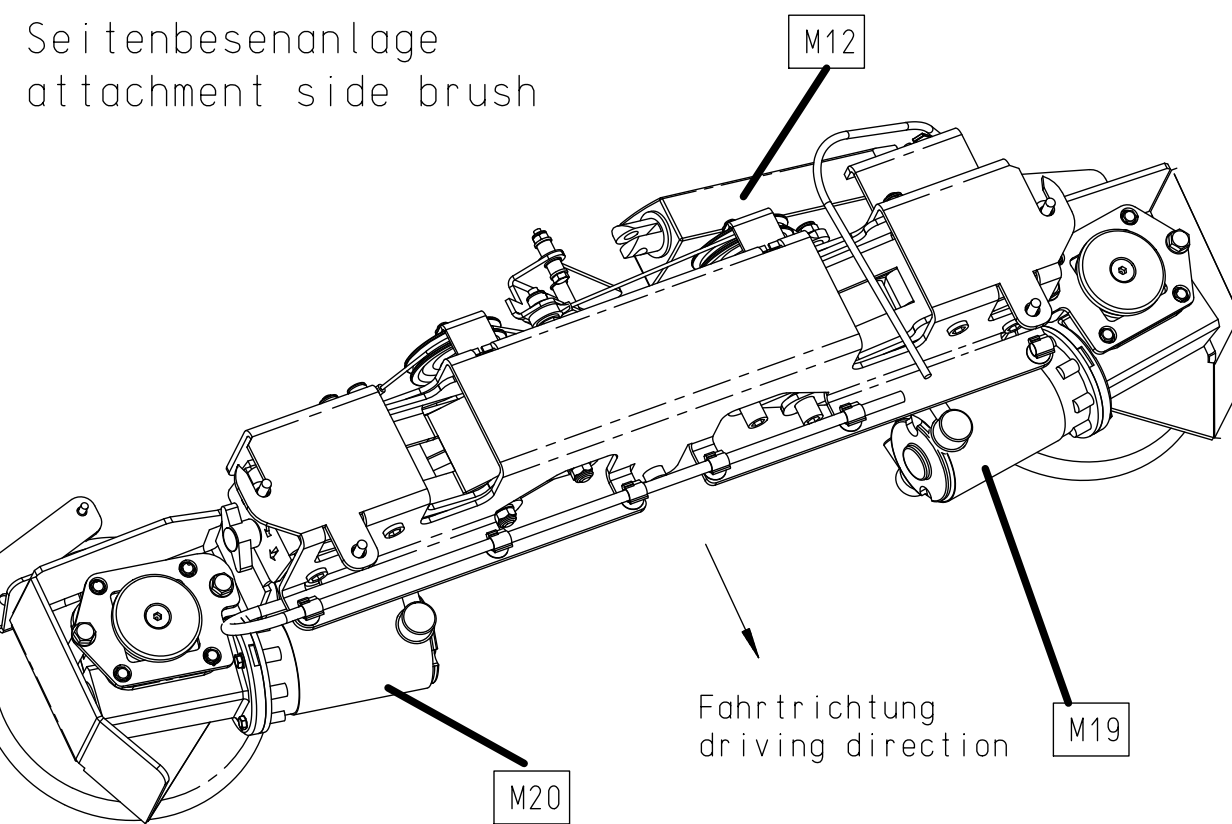
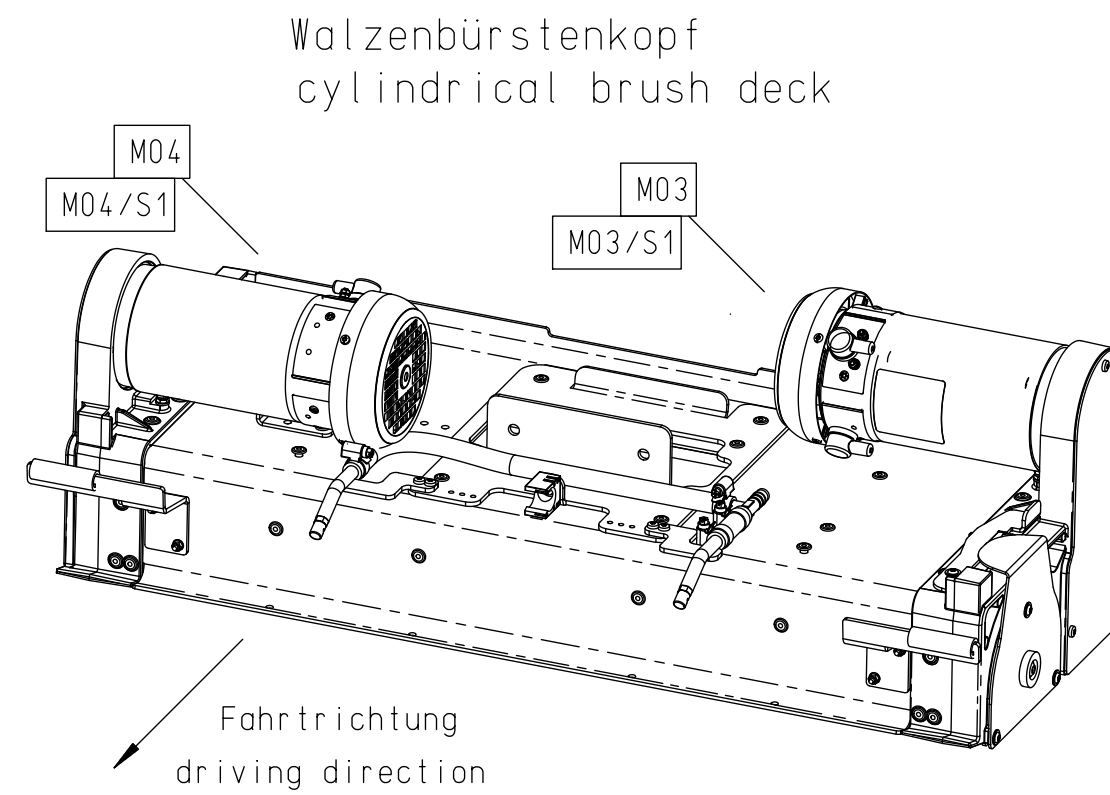
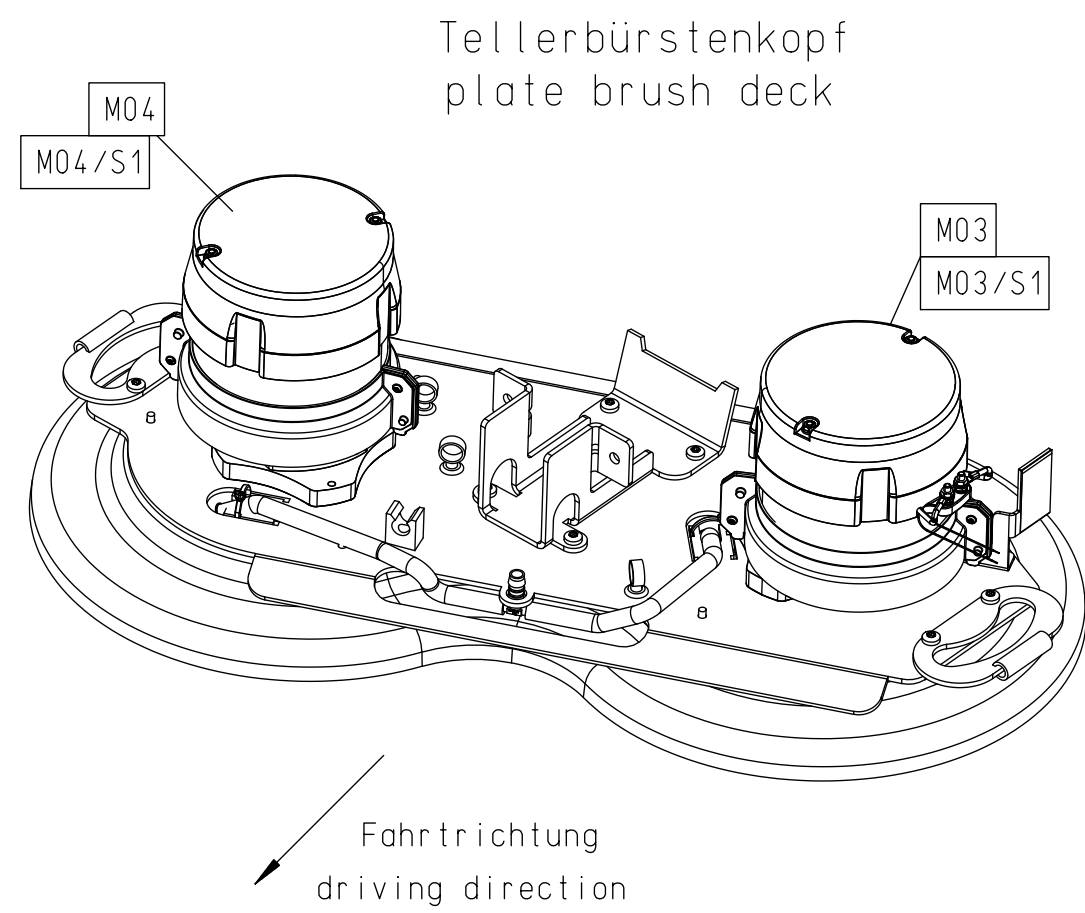


Wasserlauf
 water supply



Fahrtrichtung
 driving direction

Integrated acc. 4481-00				29.04.21	Ri	2019	Date	Name	B175 R	Name	 Hako GmbH D-23840 Bad Oldesloe	Drawing Number	
A2 No. Number appears				Change No.	Date	Name	Standard	Drawn by	21.04.	Ri		91041970	
Replacem. for 91040675				Change No. 3905-62		For this drawing we reserve all rights (acc. DIN ISO 16016)		KAB1 470		Type 7434	Dep. DS	No. of Sh. 15	Sheet 14



				2019	Date	Name	B175 R		Name		 Hako GmbH D-23840 Bad Odesloe		Drawing Number			
Integrated acc.				4481-00	29.04.21	Ri	Drawn by	21.04.	Ri	Replacem. for 91040675			Schaltplan B175 R / circuit diagram B175 R		91041970	
A2	No. Number appears	Change No.	Date	Name	Standard			Change No.	3905-62	For this drawing we reserve all rights (acc. DIN ISO 16016)		KAB1 470	Type 7434	Dep. DS	No. of Sh. 15	Sheet 15